

Parts book  
Katalog náhradních dílů

GARUDAN®

GARUDAN GPS-1507  
GARUDAN GPS-2010



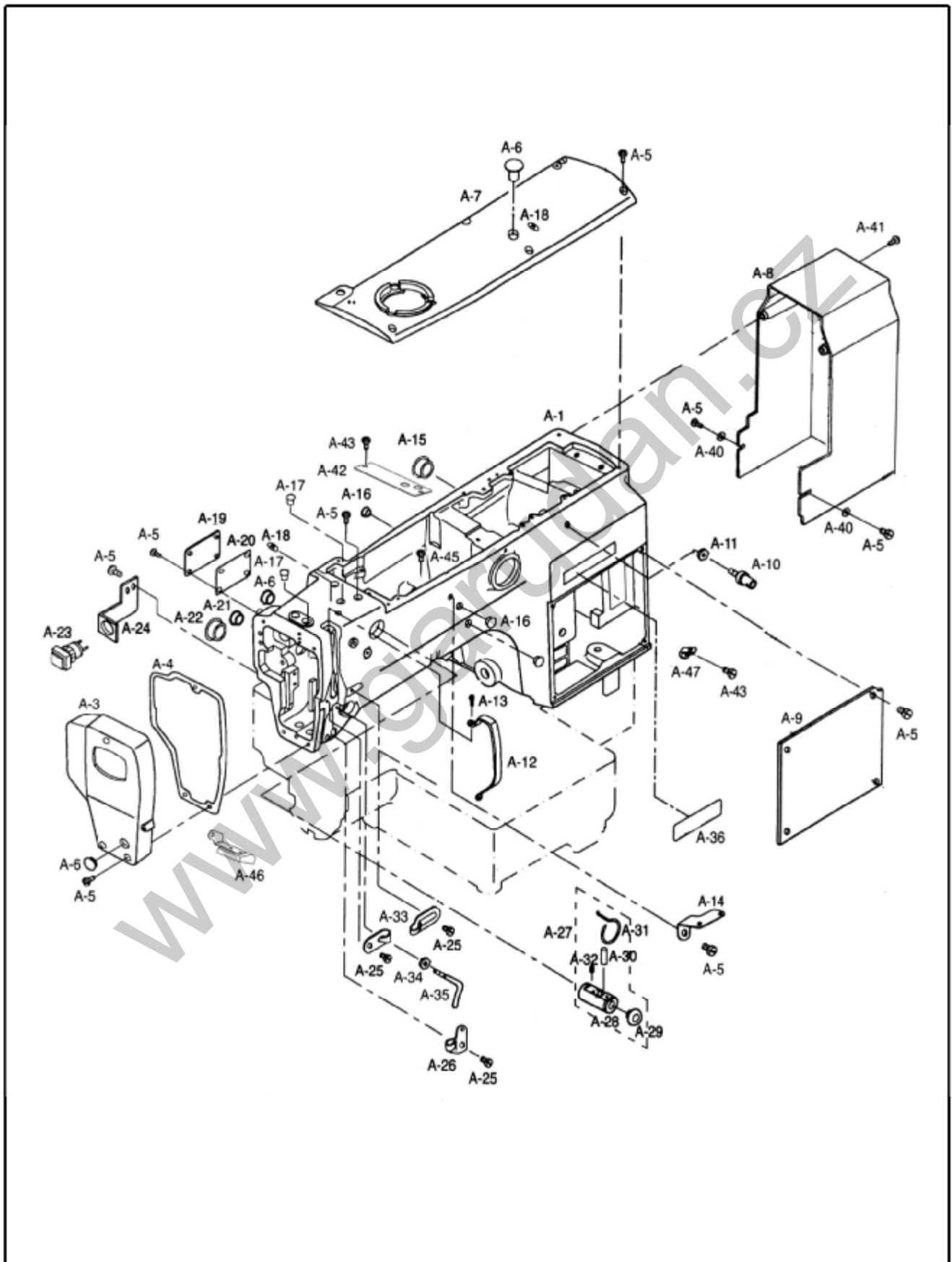
ANITA B s.r.o.  
Průmyslová 7  
680 01 Boskovice  
Czech Republic

tel: +420516454774  
fax: +420515553626  
e-mail: [info@anita.cz](mailto:info@anita.cz)  
web: [www.garudan.cz](http://www.garudan.cz)

# A

## Machine body parts - arm

## Rameno šicího stroje a kryty

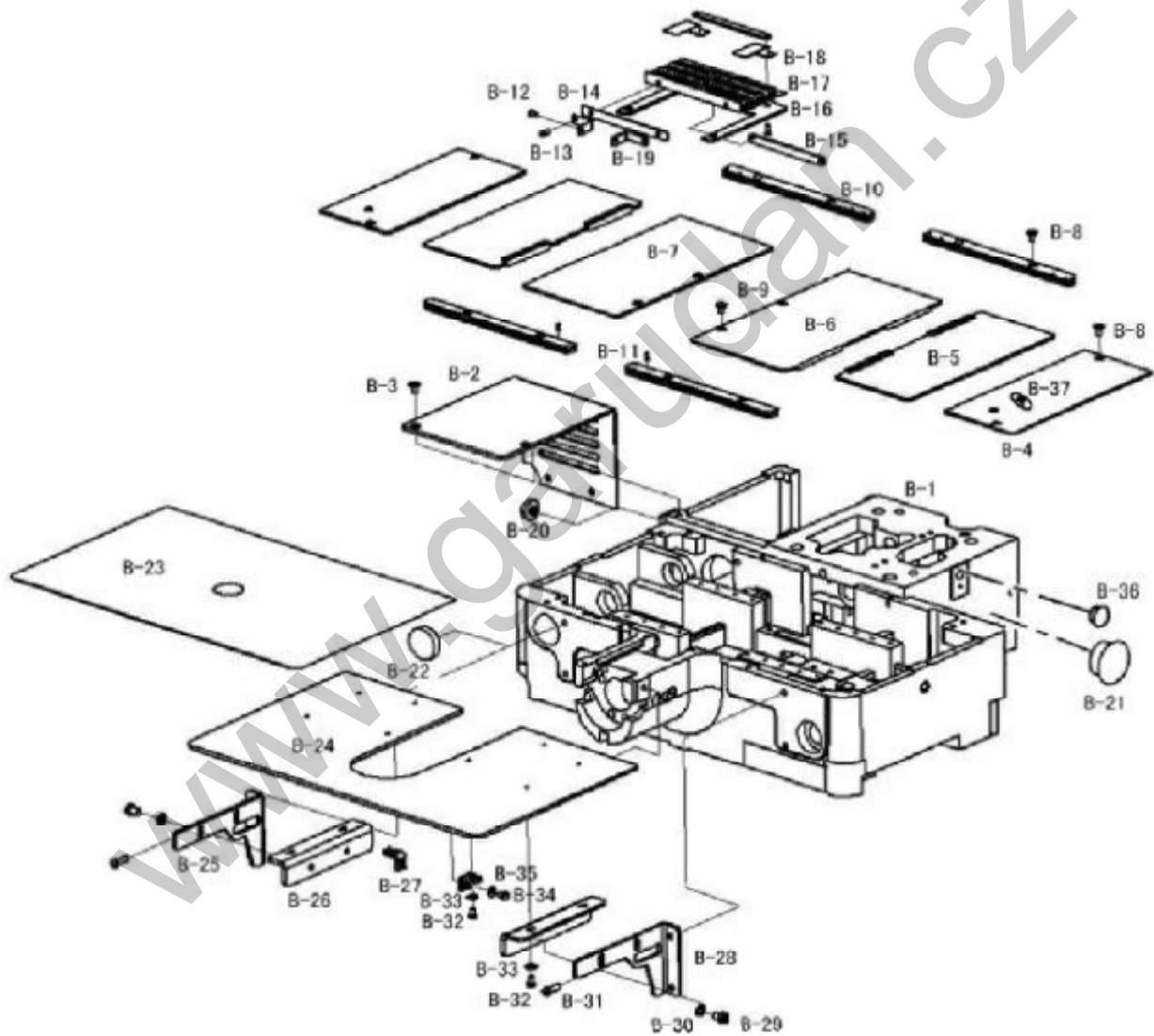


Ref.No	Parts No.	Name of parts	Popis	Qty	Note
A-1	A0101507	Arm	Rameno	1	1507
	A0102010			1	2010
A-2	A0201507	Brand Mark(Face Plate)	Samolepka GARUDAN (čelní kryt)	1	
A-3	A0301507	Face Plate	Čelní kryt	1	
A-4	A0401507	Face Plate Gasket	Těsnění čelního krytu	1	
A-5	A0501507	Screw	Šroub	21	
A-6	A0601507	Rubber Cap For Face Plate	Ucpávka	3	
A-7	A0701507	Top Cover	Kryt horní	1	
A-8	A0801507	Motor Cover	Kryt motoru	1	
A-9	A0901507	Right Cover	Kryt pravý	1	
A-10	A1001507	Thread Guide	Vodič nitě	1	
A-11	A1101507	Nut	Matka	1	
A-12	A1201507	Thread Take Up Cover	Kryt nitové páky	1	
A-13	A1301507	Screw	Šroub	1	
A-14	A1401507	Thread Guide	Vodič nitě	1	
A-15	A1501507	Rubber Cap	Ucpávka	1	
A-16	A1601507	Rubber Cap	Ucpávka	3	
A-17	A1701507	Rubber Cap	Ucpávka	3	
A-18	A1801507	Oil Sticker	Nálepka - mazací místo	2	
A-19	A1901507	Left Cover	Kryt levý	1	
A-20	A2001507	Left Cover Gasket	Těsnění levého krytu	1	
A-21	A2101507	Magnet Cord Rubber	Ucpávka	1	
A-22	A2201507	Arm left Part Rubber	Ucpávka	3	
A-23	A2301507	STOP Switch	STOP tlačítko	1	
A-24	A2401507	STOP Switch Bracket	Držák STOP tlačítka	1	
A-25	A1301507	Screw	Šroub	3	
A-26	A2601507	Thread Guide	Vodič nitě	1	
A-27	A2701507	Silicon Tank Ass'y	Olejová nádobka - komplet	1Set	
A-28	A2801507	Silicon Tank	Olejová nádobka	1	
A-29	A2901507	Silicon Oil Window	Skličko olejové nádoby	1	
A-30	A3001507	Silicon Felt	Filc	1	
A-31	A3101507	Felt Holder For Silicon Oil Supply	Vodič nitě	1	
A-32	A3201507	Screw	Šroub	1	
A-33	A3301507	Thread Guide	Vodič nitě	2	
A-34	A3401507	Nut	Matka	1	
A-35	A3501507	Arm Thread Guide	Vodič nitě	1	
A-36	A361507	Brand Mark	Označení stoje	1	
A-40	A4001507	Washer	Podložka	2	
A-41	A4101507	Screw	Šroub	2	
A-42	A4201507	Cover oil	Kryt olejové nádoby	1	
A-43	A4301507	Screw	Šroub	2	
A-45	A4501507	Screw	Šroub	1	
A-46	A4601507	Exciter Lamp	Osvětlení	1	
A-47	A4701507	Cable Clip	Držák kabelu	1	

# B

## Machine body parts - bed

### Základová deska šicího stroje a kryty

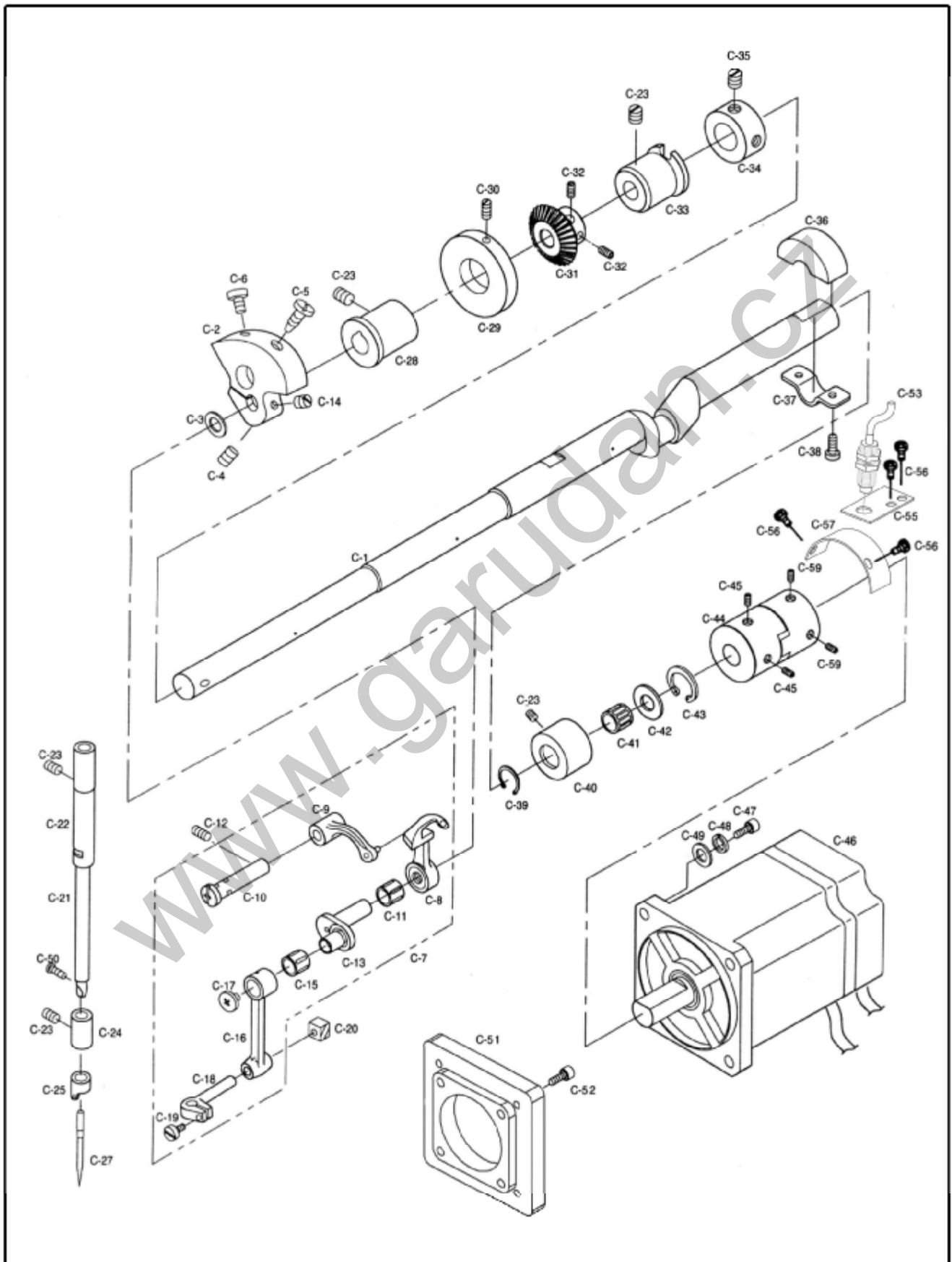


Ref.No	Parts No.	Name of parts	Popis	Qty	Note
B-1	B0101507	Bed	Deska	1	
B-2	B0201507	X-Motor Cover	Kryt motoru X	1	
B-3	B0301507	Screw	Šroub	3	
B-4	B0401507	Bed Cover	Kryt	2	1507
	B0402010			2	2010
B-5	B0501507	X-Moving Cover	Kryt	2	1507
	B0502010			2	2010
B-6	B0601507	Fixed Cover (R)	Kryt	1	1507
	B0602010			1	2010
B-7	B0701507	X-Fixed Cover (L)	Kryt	1	1507
	B0702010			1	2010
B-8	B0301507	Screw	Šroub	12	
B-9	B0901507	Screw	Šroub	4	
B-10	B1001507	X-Moving Cover Guide Rail Ass'y	Lišta	4Set	
B-11	B1101507	Pin	Kolík	4	
B-12	B1201507	Screw	Šroub	2	
B-13	B1301507	Screw	Šroub	4	
B-14	B1401507	Bellows Fixed Plate(F)	Držák	1	
B-15	B1501507	Bellows Fixed Plate(R)	Držák	2	
B-16	B1601507	Bellows Bracket	Držák	1	
	B1602010			1	
B-17	B1701507	Bellows	Držák	1	
B-18	B1801507	Bellows Plate	Držák	2	1507
	B1802010			2	2010
B-19	B1901507	Bellows Guide Plate	Držák	2	
B-20	B2001507	Bed Rubber	Průchodka	1	
B-21	B2101507	Bed Right Part Rubber Cap	Ucpávka	1	
B-22	B2201507	Bed Front Part Rubber Cap	Ucpávka	1	
B-23	B2301507	Support Cover Coating Film	Folie	1	1507
	B2302010			1	2010
B-24	B2401507	Needle Plate Support Cover	Kovová deska	1	1507
	B2402010			1	2010
	B2411507	Tivar Base Of Feeding Plate	Tivarová podložka podávací desky	-	option
	B2412010			-	option
B-25	B2501507	Support Cover Bracket(L)	Držák	1	
B-26	B2601507	Support Cover Adjusting Plate	Držák	2	
B-27	B2701507	Support Cover Bracket A	Držák	2	
B-28	B2801507	Support Cover Bracket(R )	Držák	1	
B-29	B2901507	Screw	Šroub	4	
B-30	A2201507	Washer	Podložka	4	
B-31	A0501507	Screw	Šroub	4	
B-32	B3201507	Screw	Šroub	6	
B-33	B3301507	Washer	Podložka	6	
B-34	A0501507	Screw	Šroub	2	
B-35	B3501507	Washer	Podložka	2	
B-36	A1701507	Bed Part Rubber Cap	Ucpávka	1	
B-37	A1801507	Oil Sticker	Nálepka - mazací místo	1	

# C

## Upper shaft mechanism

## Horní hřídel a její mechanismy

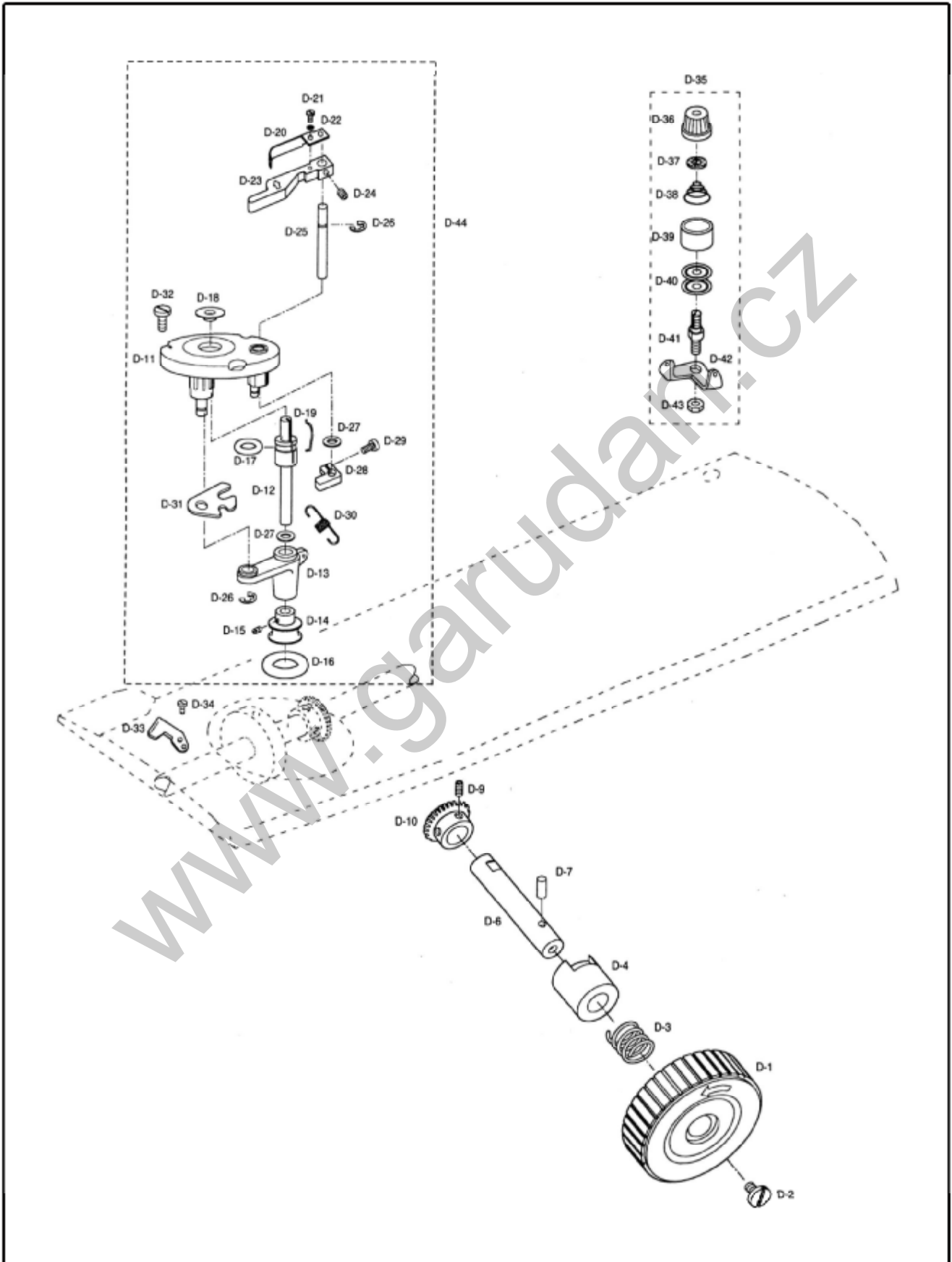


Ref.No	Parts No.	Name of parts	Popis	Qty	Note
C-1	C0101507	Upper Shaft	Horní hřídel	1	
C-2	C0201507	Link Cam	Vačka	1	
C-3	C0301507	Link Cam Washer	Podložka	1	
C-4	C0401507	Screw	Šroub	1	
C-5	C0501507	Screw	Šroub	1	
C-6	C0401507	Screw	Šroub	1	
C-7	C0701507	Tread Take-Up Lever Ass'y	Niřová páka kompletní	1Set	
C-8	C0801507	Thread Take-Up Lever	Niřová páka	1	
C-9	C0901507	Thread Take-Up Lever Crank	Niřová páka	1	
C-10	C1001507	Thread Take-Up Crank Shaft	Čep	1	
C-11	C1101507	Needle Bearing	Ložisko	1	
C-12	C1201507	Screw	Šroub	1	
C-13	C1301507	Needle Bar Crank	Klika	1	
C-14	C1201507	Screw	Šroub	1	
C-15	C1501507	Needle Bearing	Ložisko	1	
C-16	C1601507	Needle Bar Crank Rod	Páka	1	
C-17	C1701507	Screw	Šroub	1	
C-18	C1801507	Needle Bar Holder	Držák jehelní tyče	1	
C-19	C1901507	Screw	Šroub	1	
C-20	C2001507	Needle Bar Guide Block	Vodič jehelní tyče	1	
C-21	C2101507	Needle Bar	Jehelní tyč	1	
C-22	C2201507	Needle Bar Bushing(U)	Pouzdro	1	
C-23	A3201507	Screw	Šroub	5	
C-24	C2401507	Needle Bar Bushing(L)	Pouzdro	1	
C-25	C2501507	Thread Guide For Needle Bar	Vodič nitě	1	
C-27	C2701507	Needle (DP×17#18)	Jehla (135×17/110)	1	
C-28	C2801507	Upper Shaft Bushing(F)	Pouzdro	1	
C-29	C2901507	Bobbin Winder Driving Wheel	Kolo	1	
C-30	C3001507	Screw	Šroub	2	
C-31	C3101507	Hand Pulley Gear A	Ozubené kolo A	1	
C-32	C3201507	Screw	Šroub	2	
C-33	C3301507	Upper Shaft Bushing(M)	Pouzdro	1	
C-34	C3401507	Upper Shaft Collar	Objímka	1	
C-35	C3501507	Screw	Šroub	2	
C-36	C3601507	Crank Blancer	Protizávaží	1	
C-37	C3701507	Fix Plate For Crank Blancer	Objímka protizávaží	1	
C-38	A4301507	Screw	Šroub	2	
C-39	C3901507	Snap Ring	Pojistný kroužek	1	
C-40	C4001507	Upper Shaft Bushing (R )	Pouzdro	1	
C-41	C4101507	Needle Bearing	Ložisko	1	
C-42	C4201507	Thrust Bearing Washer	Podložka	1	
C-43	C4301507	Snap Ring	Pojistný kroužek	1	
C-44	C4401507	Coupling	Spojka	1Set	
C-45	C4501507	Screw	Šroub	2	
C-46	C4601507	Main Motor (750W)	Hlavní motor (750W)	1	
C-47	C4701507	Screw	Šroub	4	
C-48	C4801507	Spring Washer	Pružná podložka	4	
C-49	C4901507	Washer	Podložka	4	
C-50	C5001507	Screw	Šroub jehly	1	
C-51	C5101507	Plate for motor Z	Příruba pro motor osy Z	1	
C-52	C4701507	Screw	Šroub	4	
C-53	K4001507	Sensor GPS	Snímač GPS	1	
C-55	C5501507	Holder of sensor	Držák snímače (osa Z)	1	
C-56	C5601507	Screw	Šroub	4	
C-57	C5701507	Collar	Clonka snímače (osa Z)	1	
C-59	C5901507	Screw	Šroub	2	

# D

## Bobbine winder & hand pulley mechanism

### Navíječ a mechanismus ručního kola

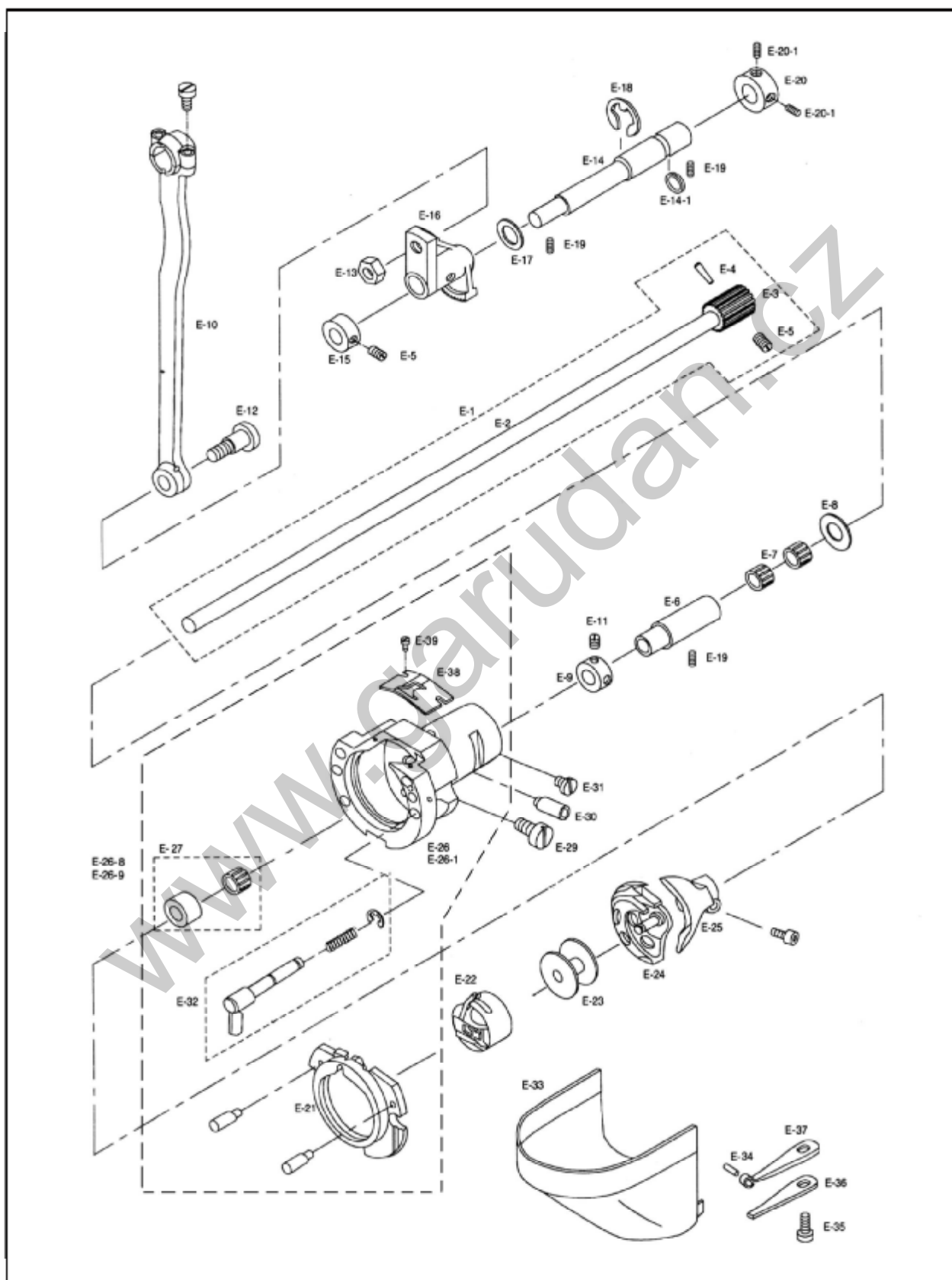




Ref.No	Parts No.	Name of parts	Popis	Qty	Note
D-1	D0101507	Hand Pulley	Ruční kolo	1	
D-2	D0201507	Screw	Šroub	1	
D-3	D0301507	Hand Pulley Spring	Pružina	1	
D-4	D0401507	Hand Pulley Bushing	Pouzdro	1	
D-6	D0601507	Hand Pulley Shaft	Hřídel ručního kola	1	
D-7	D0701507	Pin	Kolík	1	
D-9	C3201507	Screw	Šroub	2	
D-10	D1001507	Hand Pulley Gear B	Ozubené kolo B	1	
D-11	D1101507	Bobbin Winder Base Ass'y	Tělo navíječe	1	
D-12	D1201507	Bobbin Winder Shaft	Hřídel	1	
D-13	D1301507	Bobbin Winder Action Body	Páka	1	
D-14	D1401507	Thread Winder Action Pulley	Řemenice	1	
D-15	D1501507	Screw	Šroub	2	
D-16	D1601507	Thread Winder Action Ring	Kroužek	1	
D-17	D1701507	Bobbin Winder Shaft Rybber Ring	Kroužek	1	
D-18	D1801507	Bobbin Stand	Zátka	1	
D-19	D1901507	Bobbin Stopper	Pružina	1	
D-20	D2001507	Bobbin Winder Adusting Plate	Plech	1	
D-21	D2101507	Screw	Šroub	1	
D-22	D2201507	Washer	Podložka	1	
D-23	D2301507	Bobbin Winder Lever	Páka	1	
D-24	D2401507	Screw	Šroub	1	
D-25	D2501507	Bobbin Winder Lever Shaft	Hřídel	1	
D-26	D2601507	E-Ring	Pojistný kroužek	2	
D-27	D2701507	Washer	Podložka	2	
D-28	D2801507	Thread Winder Adusting Cam	Vačka	1	
D-29	D2901507	Screw	Šroub	1	
D-30	D3001507	Thread Winder Spring	Pružina	1	
D-31	D3101507	Thread Winder Action Plate	Plech	1	
D-32	D3201507	Screw	Šroub	3	
D-33	D3301507	Thread Winder Mes	Nůž	1	
D-34	D3401507	Screw	Šroub	2	
D-35	D3501507	Thread Tension Controler Ass'y	Napínač nitě - kompletní	1Set	
D-36	D3601507	Thread Tension Nut	Matka	1	
D-37	D3701507	Thread Tension Spring Stopper	Podložka	1	
D-38	D3801507	Thread Tension Spring	Pružina	1	
D-39	D3901507	Spring Cover	Kroužek	1	
D-40	D4001507	Thread Tension Disk	Miska napínače	2	
D-41	D4101507	Thread Tension Adusting Shaft	Hřídel napínače	1	
D-42	D4201507	Thread Guide Plate	Plech	1	
D-43	D4301507	Nut	Matka	1	

# E Lower shaft mechanism

## Spodní hřídel a její mechanismy

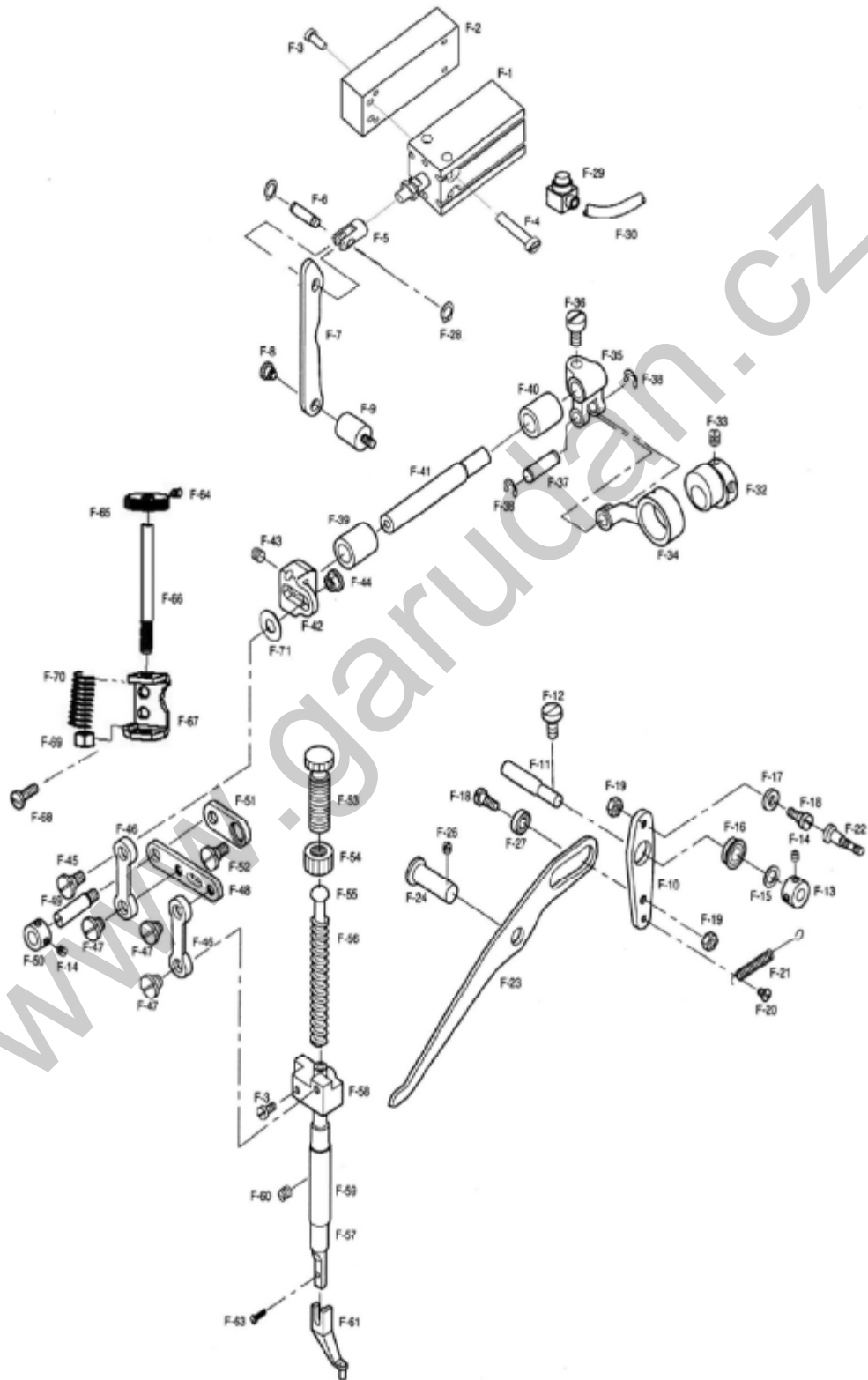


Ref.No	Parts No.	Name of parts	Popis	Qty	Note
E-1	E0101507	Lower Shaft Ass'y	Horní křídél kompletní	1	
E-2	E0201507	Lower Shaft	Horní křídél	1	
E-3	E0301507	Lower Shaft Gear	Ozubené kolo	1	
E-4	E0401507	Pin	Kolík	1	
E-5	C3201507	Screw	Šroub	3	
E-6	E0601507	Lower Shaft Rear Bushing	Pouzdro	1	
E-7	E0701507	Needle Bearing	Ložisko	2	
E-8	E0801507	Thrust Washer	Podložka	1	
E-9	E0901507	Lower Shaft Collar	Objímka	1	
E-10	E1001507	Crank Rod	Páka	1	
E-11	C3001507	Screw	Šroub	2	
E-12	E1201507	Crank Rod Hinge Screw	Šroub	1	
E-13	E1301507	Nut	Matka	1	
E-14	E1401507	Oscillator Shaft	Hřídel	1	
E-14-1	E1411507	Ring	Kroužek	1	
E-15	E1501507	Oscillator Shaft Collar(L)	Objímka	1	
E-16	E1601507	Oscillator Shaft Gear	Pohaněč	1	
E-17	E1701507	Washer	Podložka	1	
E-18	E1801507	E-Ring	Pojistný kroužek	1	
E-19	C1201507	Screw	Šroub	3	
E-20	E2001507	Oscillator Shaft Collar(R )	Objímka	1	
E-20-1	C3501507	Screw	Šroub	2	
E-21	E2101507	Shuttle Race Ring (H)	Kroužek chapače (H)	1	model H
	E2111507	Shuttle Race Ring (G)	Kroužek chapače (G)	1	model G
E-22	E2201507	Bobbin Case Ass'y (H)	Pouzdro cívky (H)	1	model H
	E2211507	Bobbin Case Ass'y (G)	Pouzdro cívky (G)	1	model G
E-23	E2301507	Bobbin (H)	Cívka (H)	1	model H
	E2311507	Bobbin (G)	Cívka (G)	1	model G
E-24	E2401507	Shuttle (H)	Chapač (H)	1	model H
	E2411507	Shuttle (G)	Chapač (G)	1	model G
E-25	E2501507	Shuttle Driver (H)	Unašeč chapače (H)	1	model H
	E2511507	Shuttle Driver (G)	Unašeč chapače (G)	1	model G
E-26	E2601507	Shuttle (H)	Chapačová dráha (H)	1	model H
	E2611507	Shuttle (G)	Chapačová dráha (G)	1	model G
	E2681507	Shuttle complete (H)	Chapačová dráha kompletní (H)	set	model H
	E2691507	Shuttle complete (G)	Chapačová dráha kompletní (G)	set	model G
E-27	E2701507	Needle Roll Bearing	Ložisko	1	
E-29	E2901507	Screw	Šroub	1	
E-30	E3001507	Shuttle Race Adusting Shaft	Hřídel	1	
E-31	E3101507	Screw	Šroub	1	
E-32	E3201507	Inner Hook Presser Shaft Ass'y	Páka - kompletní	2	
E-33	E3301507	Hook Cover Ass'y	Kryt chapače	1Set	
E-34	E3401507	Spring Pin	Kolík	1	
E-35	B3201507	Screw	Šroub	1	
E-36	E3601507	Hook Cover Plate Spring B	Pružina	1	
E-37	E3701507	Hook Cover Plate Spring A	Pružina	1	
E-38	E3801507	Plate for separating upper thread (H)	Chránící plech chapače (H)	1	
E-39	E3901507	Šroub	Screw	2	

# F

## Presser foot mechanism

## Mechanismus zdvihu patky

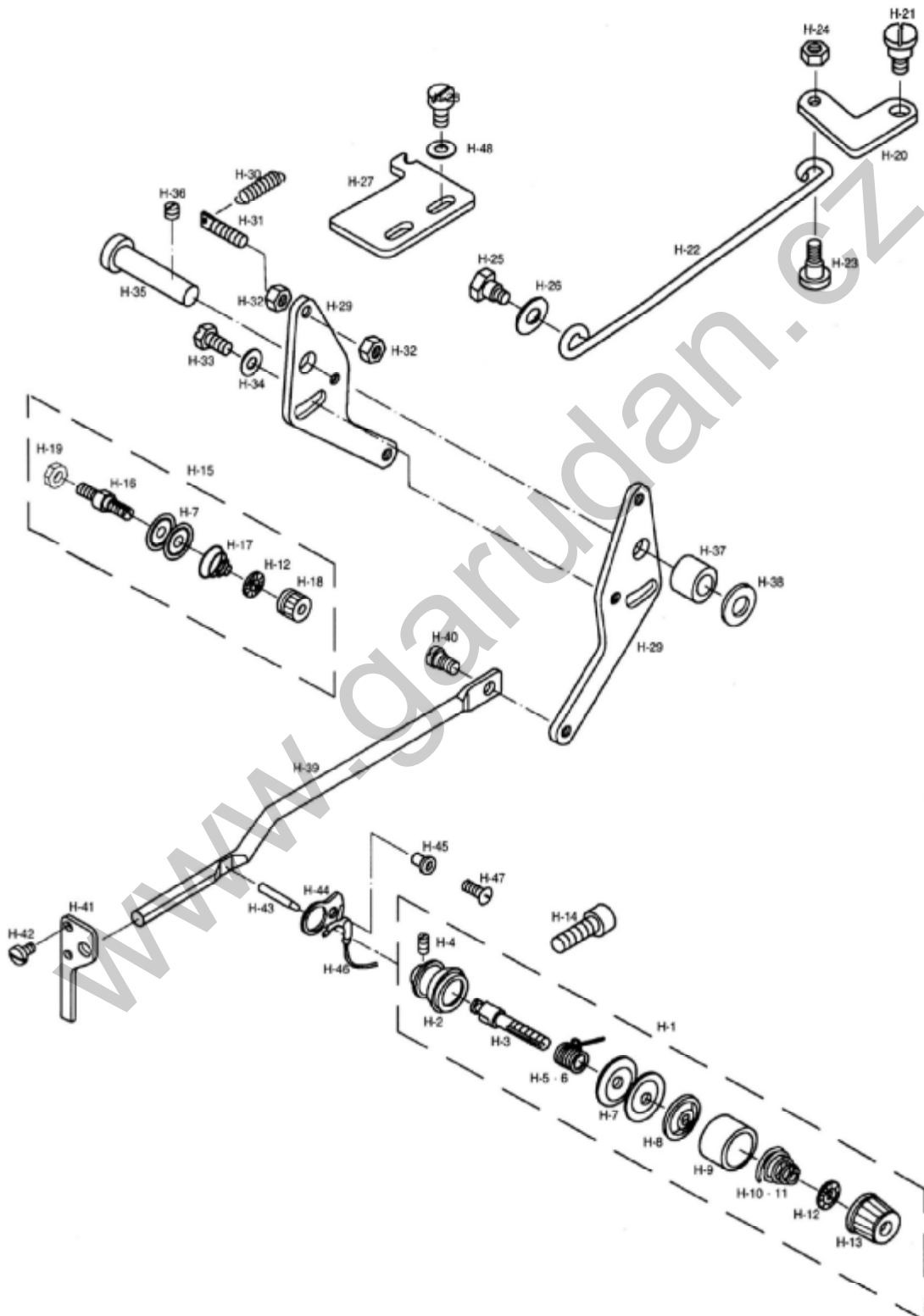


Ref.No	Parts No.	Name of parts	Popis	Qty	Note
F-1	F0101507	Presser Foot Cylinder	Pneumatický válec	1	
F-2	F0201507	Holder	Držák válece	1	
F-3	F0301507	Screw	Šroub	4	
F-4	F0401507	Screw	Šroub	2	
F-5	F0501507	Presser Foot Cylinder Knuckle	Vidlička pneuválec	2	
F-6	F0601507	Connecting Link Shaft	Kolík	2	
F-7	F0701507	Lifting Link C	Páka	1	
F-8	F0801507	Lifting Link C Hinge Screw	Šroub	1	
F-9	F0901507	Lifting Link C Hinge Stud	Kolík	1	
F-10	F1001507	Lifting Link B	Páka	1	
F-11	F1101507	Lifting Link B Shaft	Hřídel	1	
F-12	E2901507	Screw	Šroub	1	
F-13	F1301507	Lifting Link B Shaft Collar	Kroužek	1	
F-14	C3201507	Screw	Šroub	4	
F-15	F1501507	Washer	Podložka	1	
F-16	F1601507	Radial Bearing	Ložisko	1	
F-17	F1701507	Lifting Link B Roller	Kroužek	1	
F-18	F1801507	Lifting Link B Hinge Screw	Šroub	2	
F-19	F1901507	Nut	Matka	2	
F-20	F2001507	Lifting Link B Spring Hinge Screw	Šroub	1	
F-21	F2101507	Lifting Link B Spring	Pružina	1	
F-22	F2201507	Spring Hook	Pružina	1	
F-23	F2301507	Lifting Link A	Páka	1	
F-24	F2401507	Lifting Link A Hinge Shaft	Hřídel	1	
F-26	C3001507	Screw	Šroub	1	
F-27	F1701507	Lifting Link B Roller	Kroužek	1	
F-28	F2801507	E-Ring	Pojistný kroužek	2	
F-29	F2901507	Hose Union	Šroubení	2	
F-30	F3001507	Hose	Hadička		
F-32	F3201507	Presser Cam	Vačka	1	
F-33	F3301507	Screw	Šroub	2	
F-34	F3401507	Presser Cam Connection Rod	Tyč	1	
F-35	F3501507	Presser Fork Crank	Klika	1	
F-36	C0401507	Screw	Šroub	1	
F-37	F3701507	Presser Cam Connection Rod Pin	Kolík	1	
F-38	F3801507	E-Ring	Pojistný kroužek	2	
F-39	F3901507	Presser Shaft Bushing A	Pouzdro	1	
F-40	F4001507	Presser Shaft Bushing B	Pouzdro	1	
F-41	F4101507	Presser Shaft	Hřídel	1	
F-42	F4201507	Presser Adjusting Arm	Klika	1	
F-43	C1201507	Screw	Šroub	1	
F-44	F4401507	Presser Adjusting Arm Nut	Matka	1	
F-45	F4501507	Presser Adjusting Arm Hinge Screw	Čep	1	
F-46	F4601507	Presser Link	Páka	2	
F-47	F4701507	Presser Link Hinge Screw	Čep	3	
F-48	F4801507	Presser Driving Link	Páka	1	
F-49	F4901507	Presser Driving Link Hinge Screw	Šroub	1	
F-50	F5001507	Presser Driving Link Collar	Kroužek	1	
F-51	F5101507	Position Link	Páka	1	
F-52	F5201507	Position Link Hinge Screw	Šroub	1	
F-53	F5301507	Presser Adjusting Screw	Šroub	1	
F-54	F5401507	Nut	Matka	1	
F-55	F5501507	Presser Adjusting Bar	Tyč	1	
F-56	F5601507	Presser Adjusting Spring	Pružina	1	
F-57	F5701507	Presser Bar	Patní tyč	1	
F-58	F5801507	Presser Bar Holder	Držák	1	
F-59	F5901507	Presser Bar Bushing	Pouzdro	1	
F-60	A3201507	Screw	Šroub	1	
F-61	F6101507	Presser Foot (hole 2,2mm)	Patka (otvor 2,2mm)	1	
	F6111507	Presser Foot (hole 2,7mm)	Patka (otvor 2,7mm)	-	option
	F6121507	Presser Foot (hole 3,6mm)	Patka (otvor 3,6mm)	-	option
F-62	F6201507	Finger Guard	Vodič	1	
F-63	C5401507	Screw	Šroub	1	
F-64	F6401507	Screw	Šroub	1	
F-65	F6501507	Nut	Matka	1	
F-66	F6601507	Rod	Tyč	1	
F-67	F6701507	Position Link Stopper Bracket	Držák	1	
F-68	A4301507	Screw	Šroub	2	
F-69	F6901507	Nut	Matka	1	
F-70	F7001507	Position Link Stopper Spring	Pružina	1	
F-71	F7101507	Washer	Podložka	1	

# H

## Thread release & Thread tension mechanism

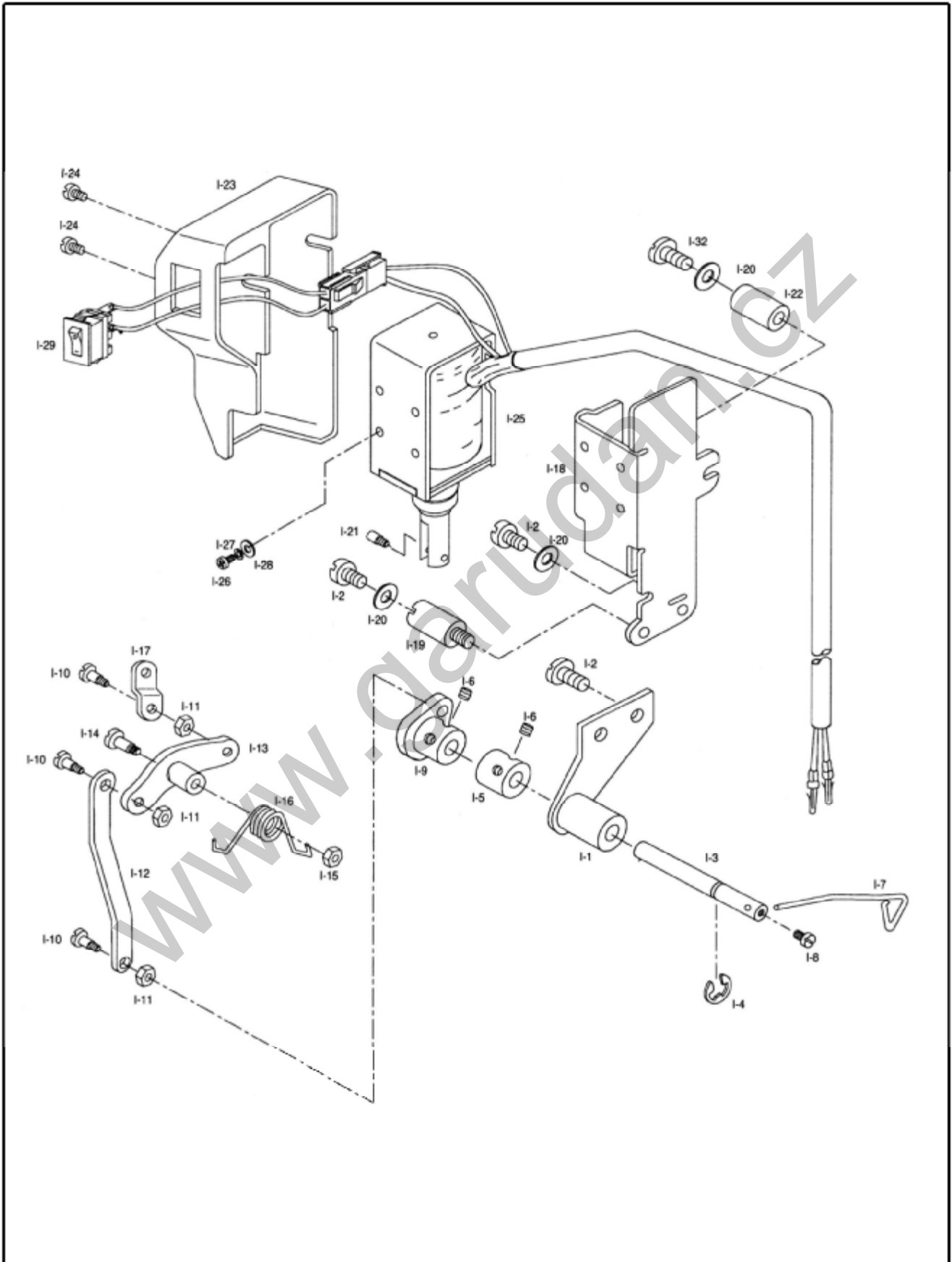
### Mechnismy napínačů nitě



Ref.No	Parts No.	Name of parts	Popis	Qty	Note
H-1	H0101507	Thread Tension Adjusting Ass'y	Napínač nitě -kompletní	1Set	
H-2	H0201507	Thread Tension Adjusting Body	Kroužek	1	
H-3	H0301507	Thread Tension Adjusting Shaft	Hřídel	1	
H-4	H0401507	Screw	Šroub	2	
H-5	H0501507	Thread Take-Up Spring(H)	Pružina	1	
H-7	H0701507	Thread Guide Disk	Miska napínače	4	
H-8	H0801507	Presser Plate For H7	Disk	1	
H-9	H0901507	Spring Cover	Pružina	1	
H-10	H1001507	Thread Tension Adjusting Spring(H)	Pružina	1	
H-12	H1201507	Spring Stopper	Kolík	2	
H-13	H1301507	Thread Adjusting Nut	Matka	1	
H-14	C4701507	Screw	Šroub	1	
H-15	H1501507	Second Thread Tension Adjusting Ass'y	Napínač nitě -kompletní	1Set	
H-16	H1601507	Second Thread Tension Adjusting Shaft	Hřídel	1	
H-17	H1701507	Second Thread Tension Adjusting Spring	Pružina	1	
H-18	H1801507	Second Thread Adjusting Nut	Matka	1	
H-19	H1901507	Nut	Matka	1	
H-20	H2001507	Thread Release Link	Plech	1	
H-21	G0701507	Thread Release Link Hinge Screw	Šroub	1	
H-22	H2201507	Thread Release Connecting Rod	Táhlo	1	
H-23	H2301507	Hinge Screw A For H22	Šroub	1	
H-24	G4601507	Nut	Matka	1	
H-25	H250157	Hinge Screw B For 22	Šroub	1	
H-26	H2601507	Washer	Podložka	1	
H-27	H2701507	Thread Release Stopper	Plech	1	
H-28	A4301507	Screw	Šroub	2	
H-29	H2901507	Thread Release Adjusting Plate	Plech	2	
H-30	H3001507	Thread Release Return Spring	Pružina	1	
H-31	H3101507	Spring Hook Screw	Šroub	1	
H-32	H3201507	Nut	Matka	2	
H-33	H3301507	Screw	Šroub	1	
H-34	B3301507	Washer	Podložka	1	
H-35	H3501507	Thread Release Shaft	Čep	1	
H-36	A3201507	Screw	Šroub	1	
H-37	H3701507	Thread Release Shaft Collar	Kroužek	1	
H-38	H3801507	Washer	Podložka	1	
H-39	H3901507	Thread Release Action Bar	Táhlo	1	
H-40	H4001507	Hinge Screw For H39	Šroub	1	
H-41	H4101507	Thread Release Action Bar Guide	Plech	1	
H-42	H4201507	Screw	Šroub	2	
H-43	H4301507	Thread Release Pin	Kolík	1	
H-44	H4401507	Thread Detecting Plate Guide	Kroužek	1	
H-45	H4501507	Thread Detecting Plate Ring	Plastový kroužek	1	
H-46	H4601507	Thread Detecting Plate	Kabel	1	
H-47	A1301507	Screw	Šroub	1	

# Wiper mechanism

## Mechanismus odhazovače nitě



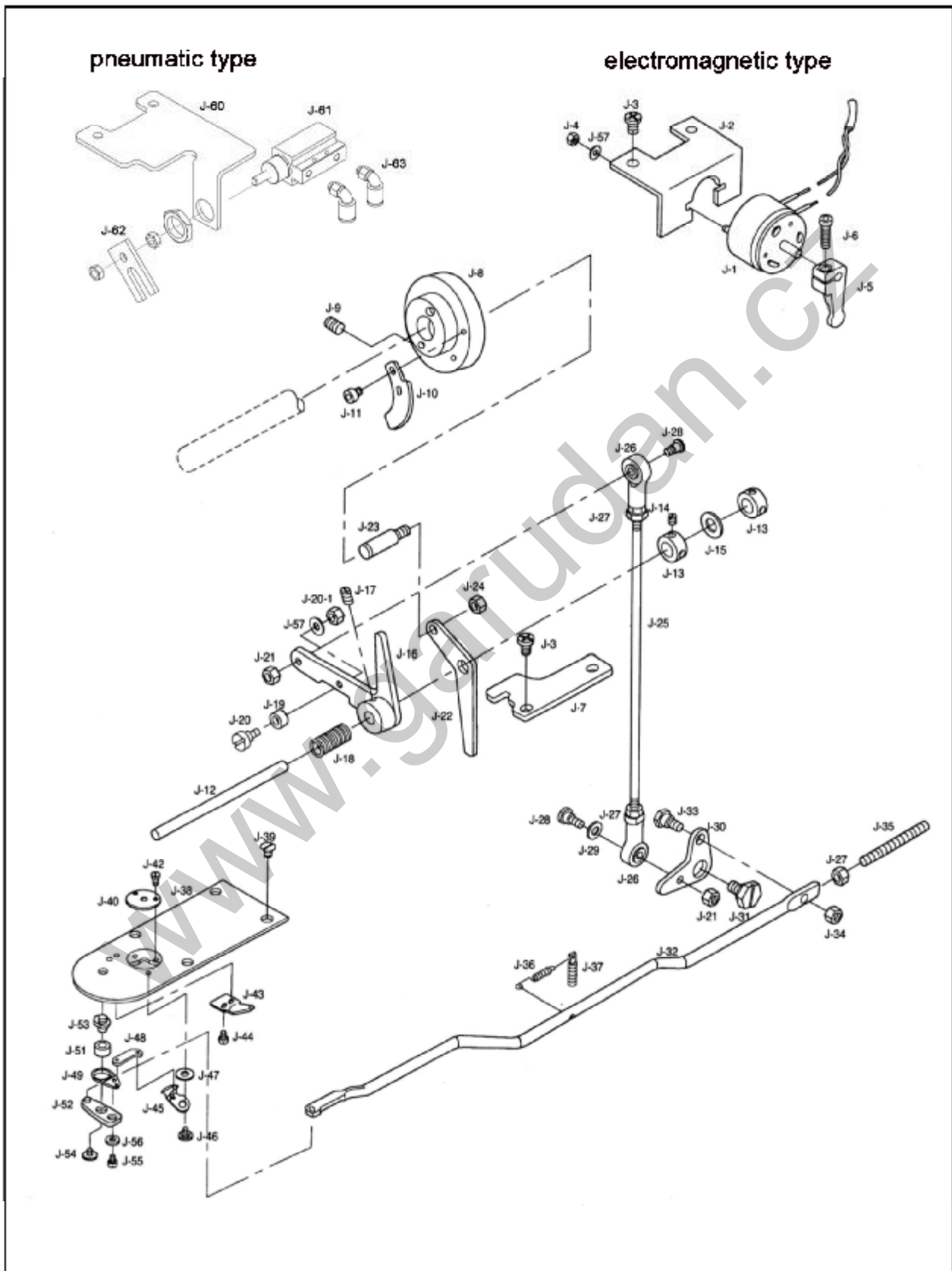


Ref.No	Parts No.	Name of parts	Popis	Qty	Note
I-1	I0101507	Wiper Bracket Ass'y	Plech	1Set	
I-2	A0501507	Screw	Šroub	4	
I-3	I0301507	Wiper Rotation Shaft	Hřídel	1	
I-4	F3801507	E-Ring	Pojistný kroužek	1	
I-5	I0501507	Wiper Rotation Shaft Collar	Kroužek	1	
I-6	I0601507	Screw	Šroub	4	
I-7	I0701507	Wiper	Odhazovač nitě	1	
I-8	I0801507	Screw	Šroub	1	
I-9	I0901507	Wiper Crank Ass'y	Kroužek	1Set	
I-10	I1001507	Hinge Screw For I9	Šroub	3	
I-11	H3201507	Nut	Matka	3	
I-12	I1201507	Wiper Rod	Páka	1	
I-13	I1301507	Wiper Rock Link Ass'y	Páka	1	
I-14	I1401507	Hinge Screw For I13	Šroub	1	
I-15	F1901507	Nut	Matka	1	
I-16	I1601507	Wiper Spring	Pružina	1	
I-17	I1701507	Wiper Solenoid Connecting Link	Plech	1	
I-18	I1801507	Wiper Base	Držák	1	
I-19	I1901507	Wiper Base Joint	Šroub	1	
I-20	C4901507	Washer	Podložka	3	
I-21	I2101507	Screw	Šroub	1	
I-22	I2201507	Wiper Base Collar	Kroužek	1	
I-23	I2301507	Wiper Cover	Kryt	1	
I-24	I0801507	Screw	Šroub	2	
I-25	I2501507	Wiper Solenoid Ass'y	Elektromagnet	1Set	
I-26	I2601507	Screw	Šroub	4	
I-27	I2701507	Washer	Podložka	4	
I-28	I2801507	Spring washer	Pružná podložka	4	
I-29	I2901507	Wiper On/Off Switch Ass'y	Vypínač	1	
I-32	I3201507	Screw	Šroub	1	
I-33	E1801507	E-Ring	Pojistný kroužek	1	

# J

## Thread trimming mechanism

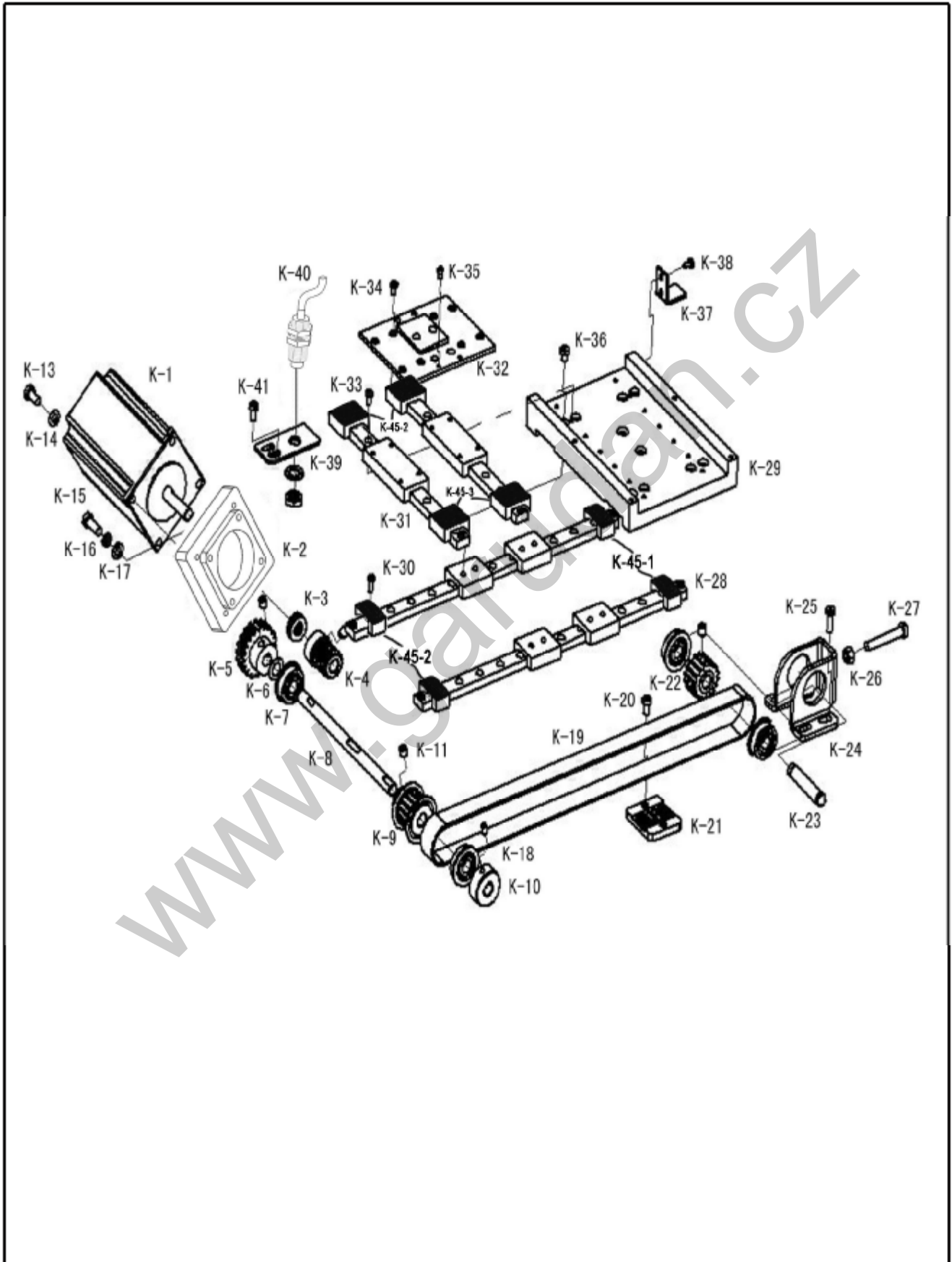
### Mechanismus odstřihu nitě



Ref.No	Parts No.	Name of parts	Popis	Qty	Note
J-1	J0101507	Thread Trimming Solenoid Ass'y	Elektromagnet	1Set	
J-2	J0201507	Thread Trimming Solenoid Bracket	Držák elektromagnetu	1	
J-3	A4301507	Screw	Šroub	4	
J-3-1	B3501507	Washer	Podložka	4	
J-4	J0401507	Nut	Matka	2	
J-5	J0501507	Rotating Link	Páka	1	
J-6	A4101507	Screw	Šroub	1	
J-7	J0701507	Thread Trimming Driving Link Stopper	Plech	1	
J-8	J0801507	Thread Trimming Cam	Vačka	1	
J-9	C3501507	Screw	Šroub	2	
J-10	J1001507	Thread Release Notch	Plech	1	
J-11	J1101507	Screw	Šroub	2	
J-12	J1201507	Thread Trimming Shaft	Hřídel	1	
J-13	J1301507	Thread Trimming Shaft Collar	Kroužek	2	
J-14	C3001507	Screw	Šroub	2	
J-15	J1501507	Rubber Washer	Podložka	1	
J-16	J1601507	Thread Trimming Driving Link Ass'y	Páka	1Set	
J-17	J1701507	Screw	Šroub	1	
J-18	J1801507	Spring	Pružina	1	
J-19	J1901507	Thread Trimming Cam Roller	Kroužek	1	
J-20	J2001507	Hinge Screw	Šroub	1	
J-20-1	F1901507	Nut	Matka	1	
J-21	H3201507	Nut	Matka	2	
J-22	J2201507	Thread Release Lever	Páka	1	
J-23	J2301507	Thread Release Lever Pin	Kolík	1	
J-24	J2401507	Nut	Matka	1	
J-25	J2501507	Thread Trimming Connecting Rod	Táhlo	1	
J-26	J2601507	Rod End (R)	Kloub	2	
J-27	J2701507	Nut	Matka	4	
J-28	J2801507	Hinge Screw	Šroub	2	
J-29	J2901507	Washer	Podložka	1	
J-30	J3001507	Thread Trimming Connecting Link	Plech	1	
J-31	J3101507	Hinge Screw	Šroub	1	
J-32	J3201507	Thread Trimming Connecting Bar	Táhlo	1	
J-33	J3301507	Hinge Screw	Šroub	1	
J-34	J3401507	Nut	Matka	1	
J-35	J3501507	Link Stopper Screw	Šroub	1	
J-36	J3601507	Spring	Pružina	1	
J-37	H3101507	Spring Hooker	Šroub	1	
J37-1	H3201507	Nut	Matka	1	
J-38	J3801507	Needle Plate	Stehová deska	1	
J-38-9	J3891507	Needle Plate Complete	Stehová deska komplet	1set	
J-39	J3901507	Screw	Šroub	4	
J-40	J4001507	Needle Plate Cover (hole for needle 2,0mm)(G)	Vložka stehové desky (otvor pro jehlu 2,0mm)(G)	1	model G
	J4011507	Needle Plate Cover (hole for needle 2,8mm)(H)	Vložka stehové desky (otvor pro jehlu 2,8mm)(H)	-	model H
J-42	J4201507	Screw	Šroub	2	
J-43	J4301507	Fixed Mes(G)	Pevný nůž (G)	1	model G
	J43S1507	Fixed Mes (special for heavy thread)(H)	Pevný nůž (pro silné nitě)(H)	-	model H
J-44	J4401507	Screw	Šroub	2	
J-45	J4501507	Moving Mes(G)	Pohyblivý nůž(G)	1	model G
	J45S1507	Moving Mes (special for heavy thread)(H)	Pohyblivý nůž (pro silné nitě)(H)	-	model H
J-46	J4601507	Hinge Screw For Moving Mes	Šroub	1	
	J46S1507	Hinge Screw For Moving Mes (H)	Šroub (pro silné nitě)(H)	1	model H
J-47	J4741507	Washer (t=0,4mm)	Podložka (t=0,4mm)	-	
	J4751507	Washer (t=0,5mm)	Podložka (t=0,5mm)	-	
	J4761507	Washer (t=0,6mm)	Podložka (t=0,6mm)	1	
	J47S1507	Washer (special for heavy thread)(H)	Podložka (pro silné nitě) (H)	1	model H
J-48	J4801507	Moving Mes Link(G)	Páka(G)	1	model G
	J48S1507	Moving Mes Link for J45S1507 (H)	Páka pro J45S1507(H)	-	model H
J-49	J4901507	Thread Trimming Lever"B" (H)	Páka	1	
J-51	J5101507	Thread Trimming Lever Ring	Kroužek	1	
J-52	J5201507	Thread Trimming Lever"A"	Páka	1	
J-53	J5301507	Thread Trimming Lever Shaft	Čep	1	
J-54	J5401507	Thread Trimming Lever Screw	Šroub	1	
J-55	J5501507	Screw	Šroub	1	
J-56	J5601507	Washer	Podložka	1	
J-57	J5601507	Washer	Podložka	3	
J-60	J6001507	Bracket	Plech	1	
J-61	J6101507	Pneumatic cylinder	Válec pneumatický	1	
J-62	J6201507	Link	Páka	1	

# K X - Moving mechanism

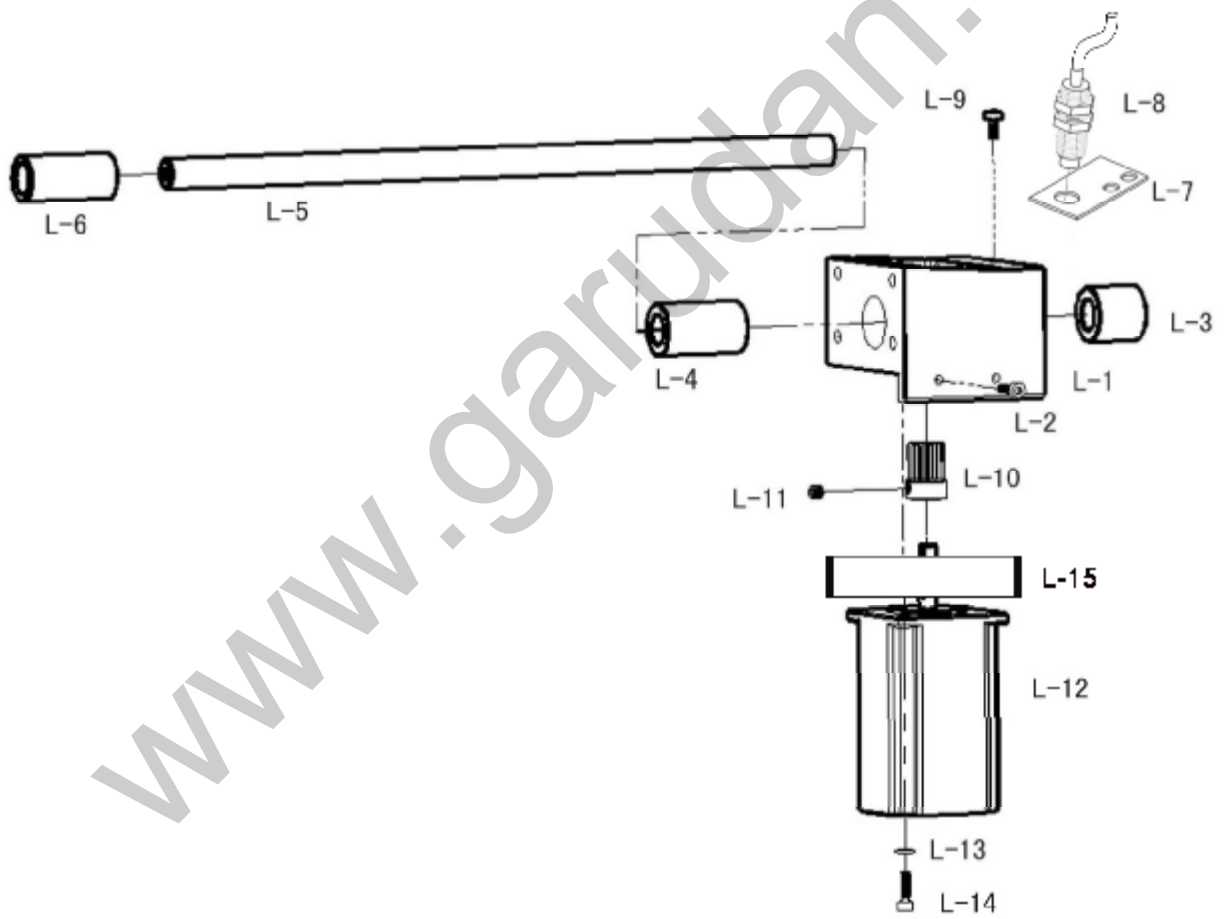
## Mechanismus osy X



Ref.No	Parts No.	Name of parts	Popis	Qty	Note
K-1	K0101507	X-Driving Motor Ass'y	Motor osy X	1	
K-2	K0201507	Plate for motor X	Příruba pro motor osy X	1	
K-3	K0301507	Thrust Bearing	Ložisko	1	
K-4	K0401507	X-Drive Gear	Ozubené kolo	1	
K-5	K0501507	X-Drive Gear	Ozubené kolo	1	
K-6	K0601507	Washer	Podložka	2	
K-7	G1701507	Radial Bearing	Ložisko	4	
K-8	K0801507	X-Dive Shaft Collar	Kroužek	1	
K-9	K0901507	X-Drive Trimming Pulley	Ozubené kolo	1	
K-10	K1001507	X-Drive Shaft Collar	Kroužek	1	
K-11	C1201507	Screw	Šroub	8	
K-13	K1301507	Screw	Šroub	4	
K-14	C4901507	Washer	Podložka	4	
K-15	K1501507	Screw	Šroub	4	
K-16	K1601507	Washer	Podložka	4	
K-17	C4901507	Washer	Podložka	4	
K-18	C3201507	Screw	Šroub	5	
K-19	K1901507	X-Trimming Belt (75cm)	Řemen (75cm)	1	
K-20	F0301507	Screw	Šroub	4	
K-21	K2101507	X-Belt Holder Plate	Držák	1	
K-22	K2201507	X- Driven Trimming Pulley	Ozubené kolo	1	
K-23	K2301507	X-Y Driven Trimming Pulley Shaft	Hřídel	1	
K-24	K2401507	X-Driven Pulley Bracket	Držák	1	
K-25	F0301507	Screw	Šroub	4	
K-26	J2701507	Nut	Matka	1	
K-27	K2701507	X-Tension Adjusting Bolt	Šroub	1	
K-28	K2801507	X Ball Gauge Ass'y	Lineární ložisko osy X	2Set	1507
	K2802010			2Set	2010
K-29	K2901507	X Race Table	Základna osy X	1	1507
	K2902010			1	2010
K-30	K3001507	Screw	Šroub	28	
K-31	K3101507	Y Ball Gauge Ass'y	Lineární ložisko osy Y	2Set	1507
	K3102010			2Set	2010
K-32	K3201507	Y Race Table	Základna osy Y	1	1507
	K3202010			1	2010
K-33	K3301507	Screw	Šroub	14	
K-34	K3401507	Screw	Šroub	8	
K-35	K3501507	Lower Feed Plate Screw	Šroub	2	
K-36	K3601507	Screw	Šroub	8	
K-37	K3701507	X-Sensor Slit	Plech	1	
K-38	K3401507	Screw	Šroub	2	
K-39	K3901507	X-Sensor Base	Držák snímače X	1	
K-40	K4001507	Sensor GPS	Snímač GPS	1	
K-40-1	K3001507	Screw	Šroub	1	
K-41	K4101507	Screw	Šroub	2	
K-45-1	K4511507	Stopper X	Doraz osy X	2	
K-45-2	K4521507	Stopper XY	Doraz osy XY	4	
K-45-3	K4531507	Stopper Y	Doraz osy Y	2	

# Y - Moving mechanism

## Mechanismus osy Y



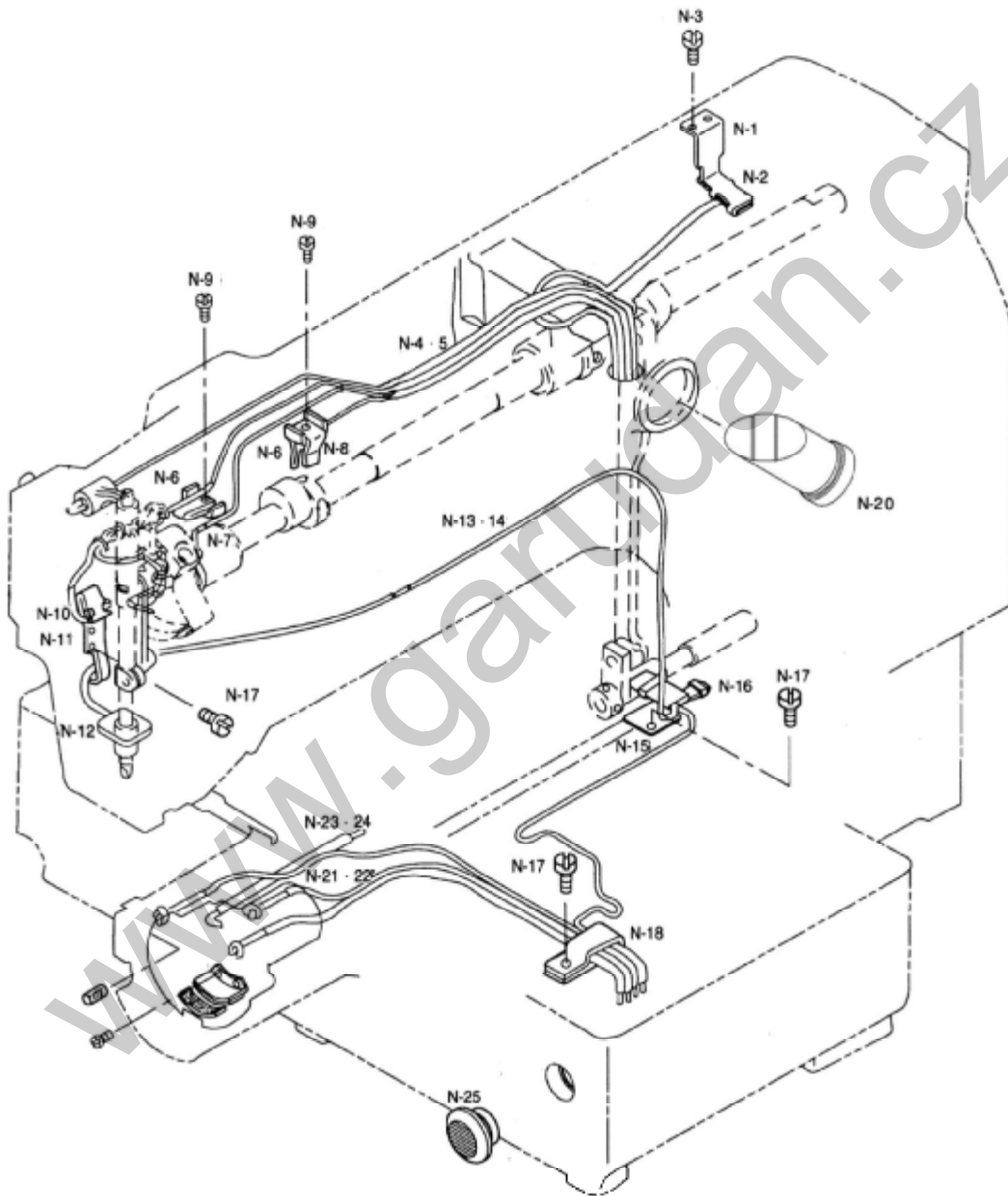
Ref.No	Parts No.	Name of parts	Popis	Qty	Note
L-1	L0101507	Y-Drive Motor Ass'y Base	Držák motoru	1	
L-2	L0201507	Screw	Šroub	2	
L-3	L0301507	Y- Moving Shaft Bushing	Ložisko	4	
L-4	L0401507	Y- Moving Shaft Bushing	Ložisko	1	
L-5	L0501507	Y- Moving Shaft	Hřídel Y	1	
L-6	L0601507	Y- Moving Shaft Bushing	Ložisko	1	
L-7	L0701507	Y-Sensor Base	Držák snímače osy Y	1	
L-8	K4001507	Sensor GPS	Snímač GPS	1	
L-8-1	K3001507	Screw	Šroub	1	
L-9	L0901507	Screw	Šroub	2	
L-9-1	K3301507	Screw	Šroub	2	
L-10	L1001507	Y-Drive Gear	Ozubené kolo osy Y	1	
L-11	C1201507	Screw	Šroub	2	
L-12	K0101507	Y-Drive Motor Ass'y	Motor osy Y	1Set	
L-13	J5601507	Washer	Podložka	4	
L-14	L0201507	Screw	Šroub	4	
L-15	L1501507	Plate for motor Y	Příruba pro motor osy Y	1	

www.garudan.com

# N

Lubrication

Mazání



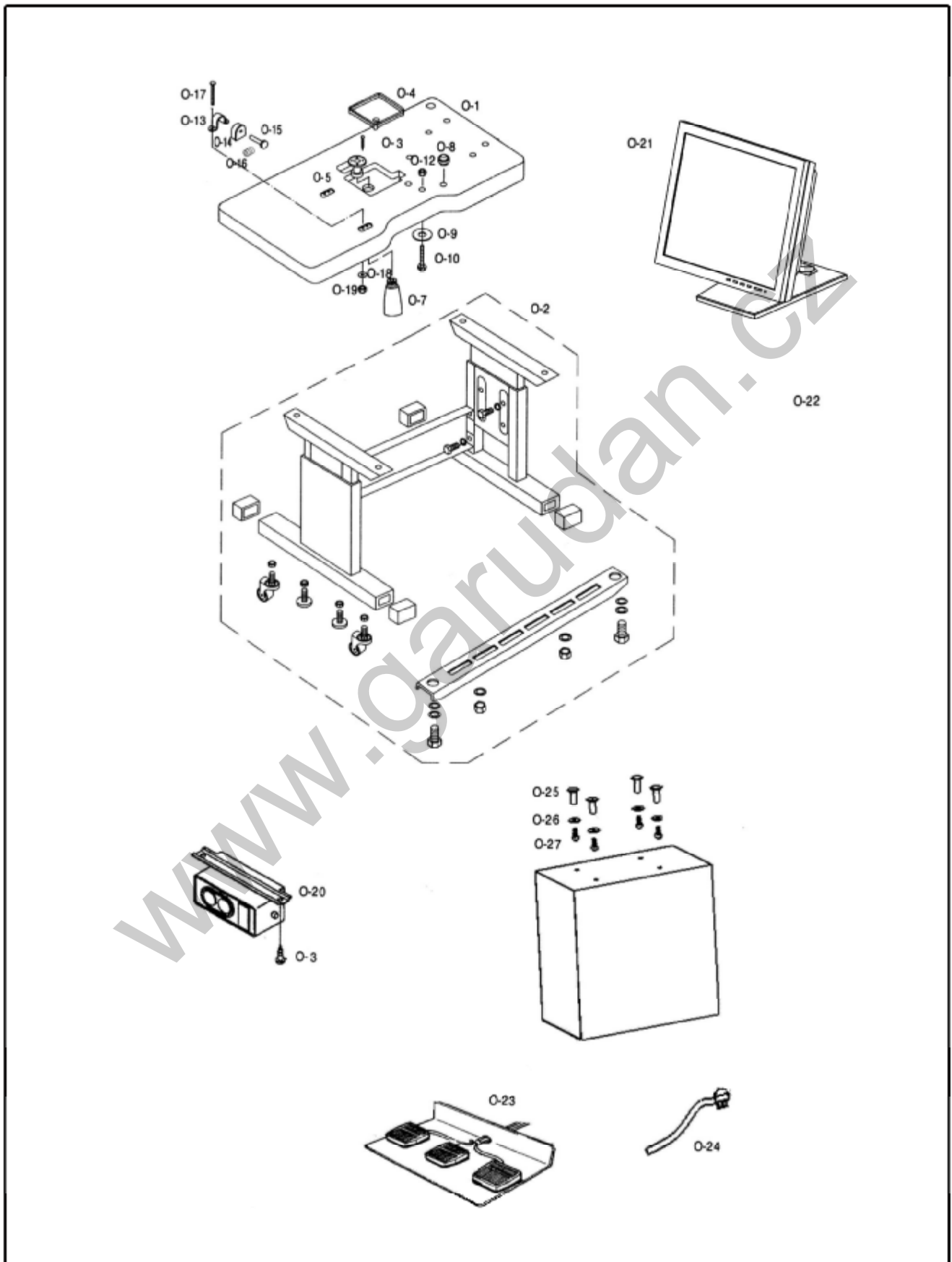


Ref.No	Parts No.	Name of parts	Popis	Qty	Note
N-1	N0101507	Crank Rod Lubrication Plate	Plech	1	
N-2	N0201507	Felt	Filc	1	
N-3	A4301507	Screw	Šroub	4	
N-4	N0401507	Oil Wick	Knot	3	
N-5	N0501507	Oil Hose	Hadička	3	
N-6	N0601507	Blance Lubrication Plate	Plech	2	
N-7	N0701507	Blance Lubrication Felt(M)	Filc	1	
N-8	N0801507	Blance Lubrication Felt(R)	Filc	1	
N-9	C5401507	Screw	Šroub	2	
N-10	N1001507	Needle Bar Crank Rod Lubrication Plate	Plech	1	
N-11	N1101507	Felt	Filc	1	
N-12	N1201507	Arm Oil Return Felt	Filc	1	
N-13	N1301507	Arm Oil Return Felt	Knot	1	
N-14	N1401507	Arm Oil Return Felt Oil Hose	Hadička	1	
N-15	N1501507	Oscillator Shaft Gear Lubrication Plate	Plech	1	
N-16	N1601507	Oscillator Shaft Gear Lubrication Felt	Filc	1	
N-17	B3201507	Screw	Šroub	4	
N-18	A4701507	Oil Hose Holder(L)	Držák	1	
N-20	N2001507	Oil Gauge	Olejoznak	1	
N-21	N0401507	Shuttle Lubrication Wick	Knot	1	
N-22	N0501507	Shuttle Lubrication Oil Hose	Hadička	1	
N-23	N2301507	Bed Oil Return Felt	Filc	1	
N-24	N1401507	Bed Oil Return Felt Oil Hose	Hadička	1	
N-25	N2501507	Oil Window	Olejoznak	1	



# Table & stand

## Plát a stavec

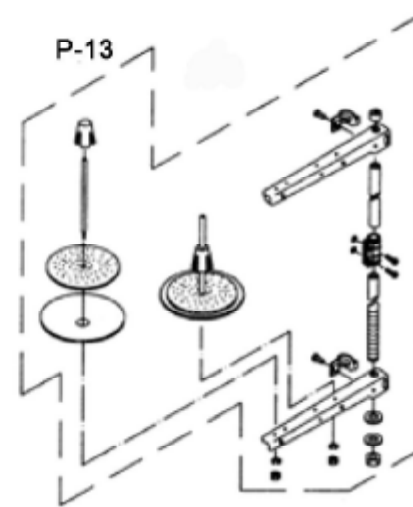
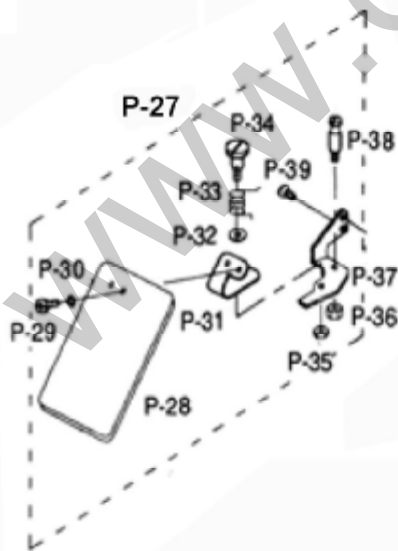
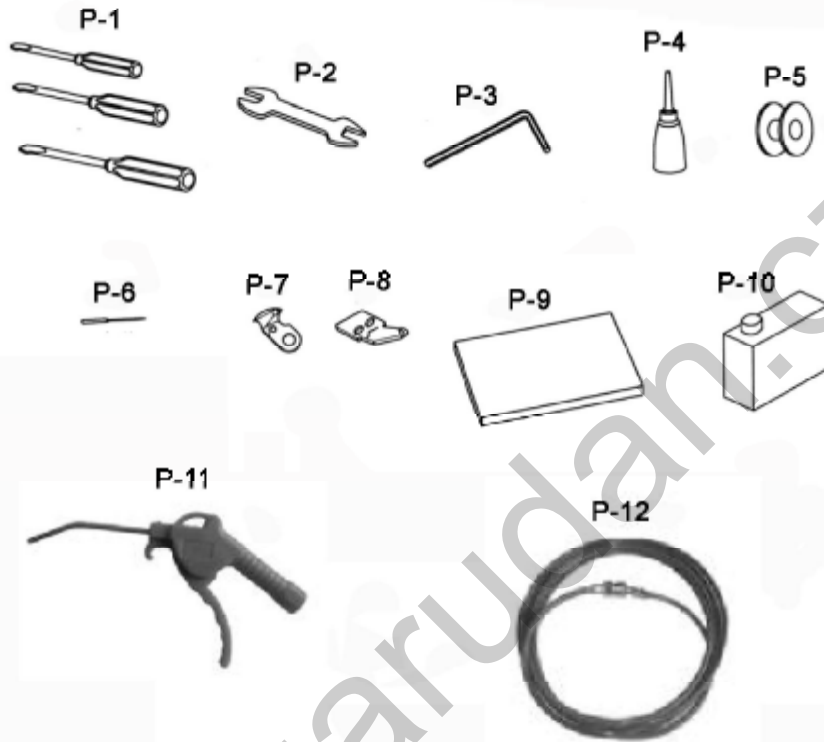


Ref.No	Parts No.	Name of parts	Popis	Qty	Note
O-1	O0101507	Table Ass'y	Plát	1Set	
O-2	O0201507	Table Stand Ass'y	Stojan - kompletní	1Set	
O-3	O0301507	Screw Nail	Šroub	9	
O-4	O0401507	Bed Base	Olejová vana	1	
O-5	O0501507	Oil Supportter	Průchodka	1	
O-7	O0701507	Oiler	Olejová nádoba	1	
O-8	B2001507	Custion Rubber	Průchodka	2	
O-9	O0901507	Washer	Podložka	1	
O-10	O1001507	Screw	Šroub	1	
O-12	O1201507	Screw	Šroub	1	
O-13	O1301507	Hinge	Držák	2	
O-14	O1401507	Hinge Rubber	Guma	2	
O-15	O1501507	Hinge Pin	Kolík	2	
O-16	C3201507	Screw	Šroub	2	
O-17	O1701507	Screw	Šroub	4	
O-18	O1801507	Washer	Podložka	4	
O-19	O1201507	Nut	Matka	4	
O-20	O2001507	Mains Switch	Vypínač	1	
O-21	O2101507	Touch LCD 15"	Dotykový LCD monitor 15"	1	
O-22	O2201507	Holder LCD	Držák LCD	1	option
O-23	O2301507	Foot Switch Ass'y	Pedály	1Set	
O-24	O2401507	Mains Lead	Kabel	1	
O-25	O2501507	Screw	Šroub	4	
O-26	O0901507	Washer	Podložka	4	
O-27	O2701507	Screw	Šroub	4	

# P

## Accessory

## Příslušenství

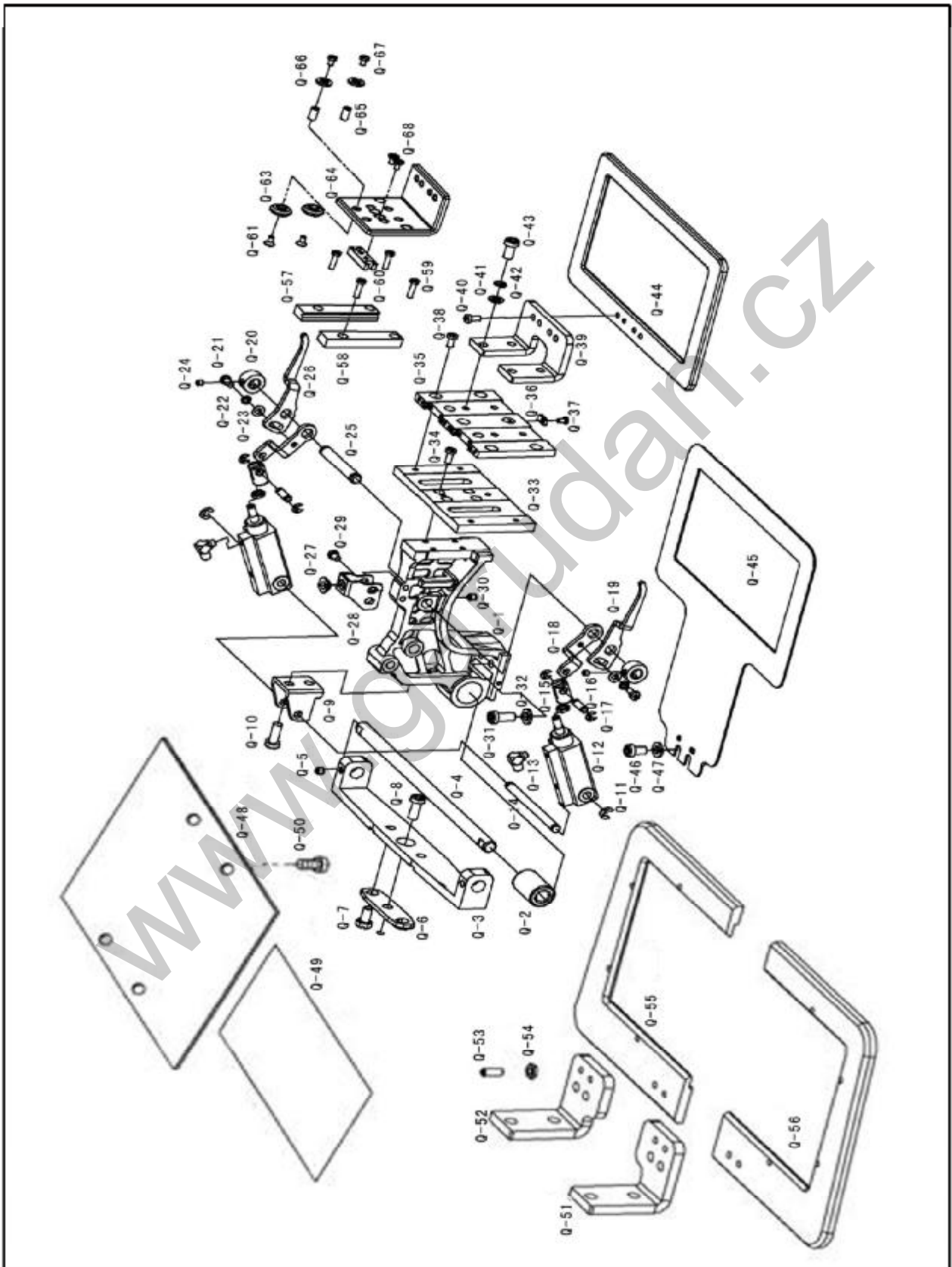


Ref.No	Parts No.	Name of parts	Popis	Qty	Note
P-1	P0101507	Driver	Šroubovák	1Set	
P-2	P0201507	Spaner	Klíč	1Set	
P-3	P0301507	L-Shape Wrench	Imbusový klíč	1Set	
P-4	P0401507	Oiler	Olejníčka	1	
P-5	E2301507	Bobbin	Cívka	6	
P-6	C2701507	Needle (DP×17#18)	Jehly (135×17/110)	5	
P-7	J4501507	Moving Mes	Pohyblivý nůž	1	
P-8	J4301507	Fixed Mes	Pevný nůž	1	
P-9	P0901507	Manual & Parts Book	Návod & katalog náhradních dílů	1	
P-10	P1001507	Bottle Of Oil	Olej	1	
P-11	P1101507	Air gun	Pistol ofukovací	1	
P-12	P1201507	Hose	Hadice	1Set	
P-13	P1301507	Thread Stand Ass'y	Níťový stojánek	1Set	
P-27	P2701507	Safety Pate Ass'y	Chráníč očí	1Set	
P-28	P2801507	Safety Pate	Plexi	1	
P-29	B3201507	Screw	Šroub	2	
P-30	J5601507	Washer	Podložka	2	
P-31	P3101507	Safety Plate Holder	Držák	1	
P-32	A4001507	Washer	Podložka	1	
P-33	P3301507	Safety Plate Spring	Pružina	1	
P-34	P3401507	Safety Plate Hinge Screw	Šroub	1	
P-35	H3201507	Nut	Matka	1	
P-36	J3401507	Nut	Matka	1	
P-37	P3701507	Safety Bracket	Držák	1	
P-38	P3801507	Safety Plate Spring Hook	Pružina	1	
P-39	B3201507	Screw	Šroub	2	
P-40	O0301507	Screw Nail	Šroub	2	



Feed mechanism

Podávací mechanismy

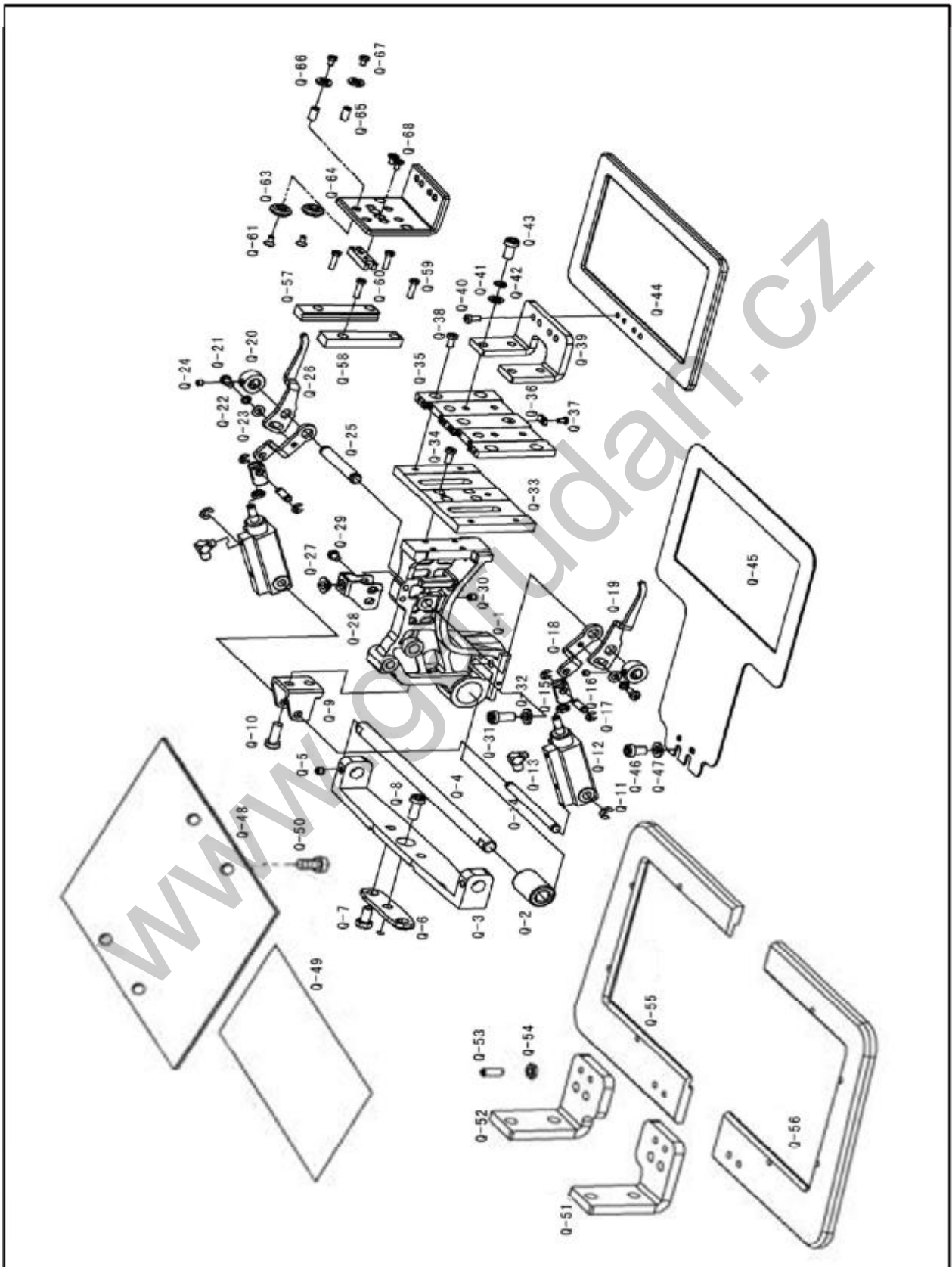


Ref.No	Parts No.	Name of parts	Popis	Qty	Note
Q-1	Q0101507	Feed Bracket	Držák	1	1507
	Q0102010			1	2010
Q-2	Q0201507	Ball Bush (SDM 10UU)	Ložisko	1	1507
	Q0202010			1	2010
Q-3	Q0301507	X-Guide Shaft Bracket	Ramínko	1	1507
	Q0302010			1	2010
Q-4	Q0401507	X-Guide Shaft	Hřídel	1	1507
	Q0402010			1	2010
Q-5	C3001507	Screw	Šroub	2	
Q-6	Q0601507	T-Moving Shaft Bracket	Plech	1	1507
	Q0602010			1	2010
Q-7	C5801507	Screw	Šroub	2	1507
	Q0702010			2	2010
Q-8	M0601507	Screw	Šroub	1	1507
	Q0802010			1	2010
Q-9	Q0901507	Cylinder Base	Držák	1	1507
	Q0902010			1	2010
Q-10	Q1001507	Screw	Šroub	2	
Q-11	F3801507	E-Ring	Pojistný kroužek	2	
Q-12	Q1201507	Air Cylinder	Pneumatický válec	2	
Q-13	Q1301507	Hose Union	Nástrčná spojka	4	
Q-14	Q1401507	Cylinder Shaft	Hřídel	1	
Q-15	Q1501507	Cylinder Knuckle	Vidlička pneuválce	2	
Q-16	F0601507	Connecting Link Shaft	Kolík	2	
Q-17	F2801507	E-Ring	Pojistný kroužek	4	
Q-18	Q1801507	Link Plate A	Páka A	2	1507
	Q1802010			2	2010
Q-19	Q1901507	Link Plate B	Páka B	1	1507
	Q1902010			1	2010
Q-20	M3601507	Lifting Lever Shaft Collar	Kroužek	2	
Q-21	Q2101507	Screw	Šroub	2	
Q-22	Q2201507	Washer	Podložka	2	
Q-23	J5601507	Washer	Podložka	2	
Q-24	C3201507	Screw	Šroub	4	
Q-25	M3001507	Lifting Lever Shaft	Hřídel	1	
Q-26	Q1901507	Link Plate C	Páka C	1	1507
	Q2602010			1	2010
Q-27	Q2701507	Calmp Shaft Holder	Držák	1	
Q-28	Q2801507	Slider Base	Držák	1	
Q-29	Q2901507	Screw	Šroub	4	
Q-30	C3001507	Screw	Šroub	1	
Q-31	M0601507	Screw	Šroub	2	
Q-32	Q3201507	Washer	Podložka	2	
Q-33	Q3301507	Plate	Deska	1	
Q-34	Q2101507	Screw	Šroub	2	
	Q3402010			2	
Q-35	Q3501507	Plate	Deska	1Set	
Q-36	Q3601507	Washer	Podložka	8	



Feed mechanism

Podávací mechanismy

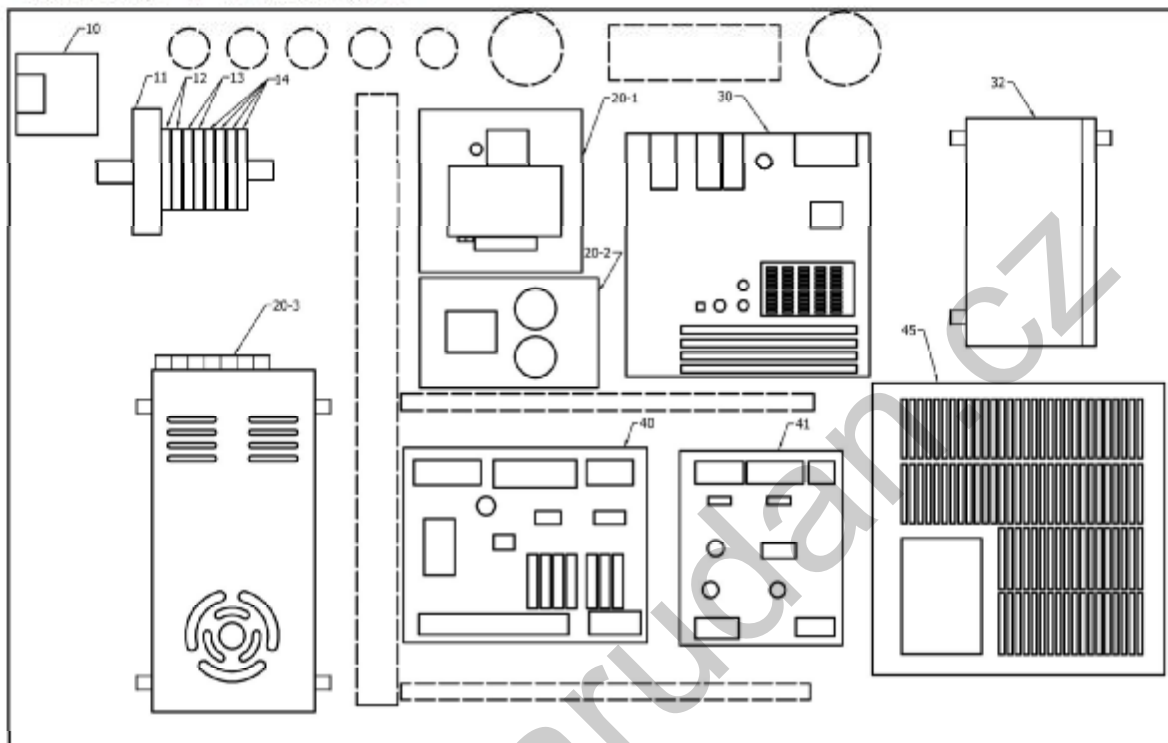




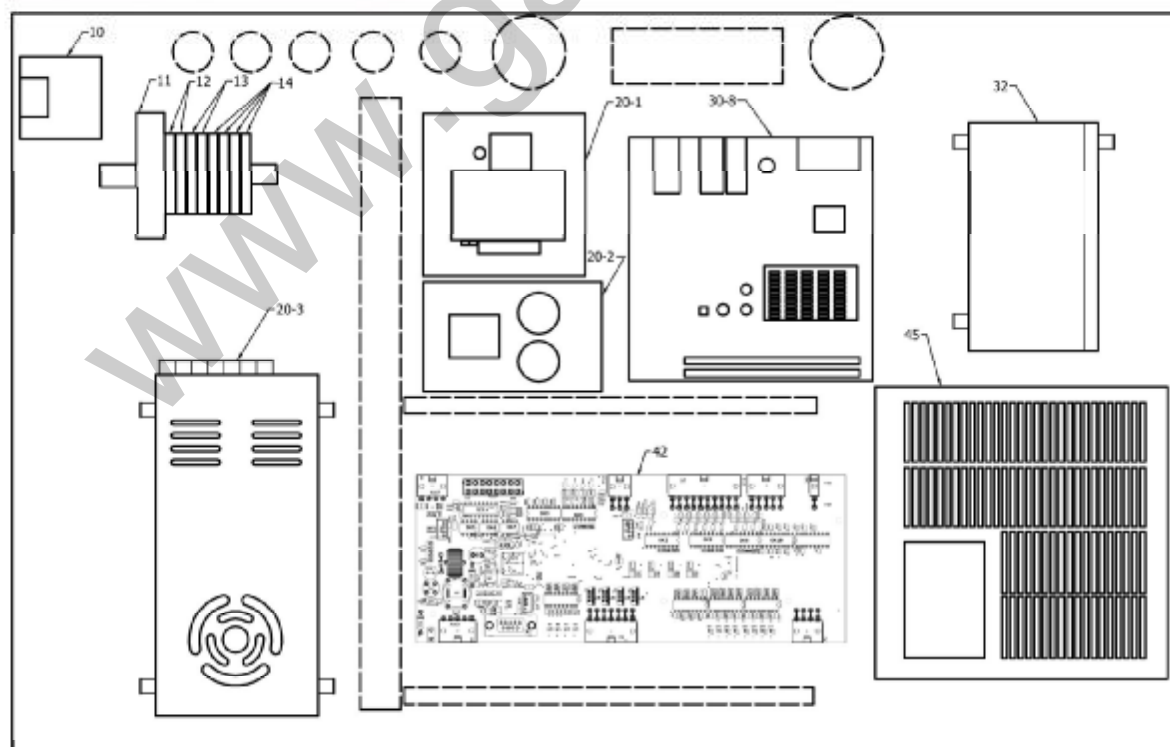
Ref.No	Parts No.	Name of parts	Popis	Qty	Note
Q-37	K3401507	Screw	Šroub	8	2010
Q-38	Q2101507	Screw	Šroub	2	1507
	L0901507			4	2010
Q-39	Q3901507	Feed Plate Clamp	Držák	-	option
Q-40	Q2901507	Screw	Šroub	4	
Q-41	Q4101507			4	
Q-42	K1601507	Washer	Podložka	4	
Q-43	Q4301507	Screw	Šroub	4	
Q-44	Q4401507	Upper feed Plate	Horní rámeček	-	1507
	Q4402010			-	2010
Q-45	Q4501507	Lower feed Plate	Podávací deska	1	1507
	Q4502010			1	2010
Q-46	Q4601507	Screw	Šroub	2	
Q-47	Q4701507	Washer	Podložka	2	
Q-48	Q4801507	Presser Plate	Plech - doraz	1	1507
	Q4802010			1	2010
Q-49	Q4902010	Presser Plate Sheet	Kryt	1	2010
Q-50	C5801507	Screw	Šroub	4	1507
	Q5002010			4	2010
Q-51	Q5101507	Feed Plate Clamp (L)	Držák rámečku levý	1	1507
	Q5102010			1	2010
Q-52	Q5201507	Feed Plate Clamp (R)	Držák rámečku pravý	1	1507
	Q5202010			1	2010
Q-53	Q5301507	Screw	Šroub	4	
Q-54	Q5401507	Screw	Šroub-červ	4	
Q-55	Q5501507	Upper Feed Plate (R)	Rámeček pravý	1	1507
	Q5502010			1	2010
Q-56	Q5601507	Upper Feed Plate (L)	Rámeček levý	1	1507
	Q5602010			1	2010
Q-57	Q5701507	Holder	Držák	-	
Q-58	Q5801507	Holder	Držák	-	
Q-59	Q5901507	Screw	Šroub	-	
Q-60	Q6001507	Holder	Držák	-	
Q-61	B0901507	Screw	Šroub	-	
Q-63	Q6301507			-	
Q-64	Q6401507	Holder	Držák	-	
Q-65	Q6501507			-	
Q-66	F7101507	Washer	Podložka	-	
Q-67	Q6701507	Screw	Šroub	-	
Q-68	B0901507	Screw	Šroub	-	
Q-69	H3201507	Nut	Matka	-	
Q-70	Q7001507			30cm	

# R Control box Rozvaděč

## version F / verze F



## version G / verze G

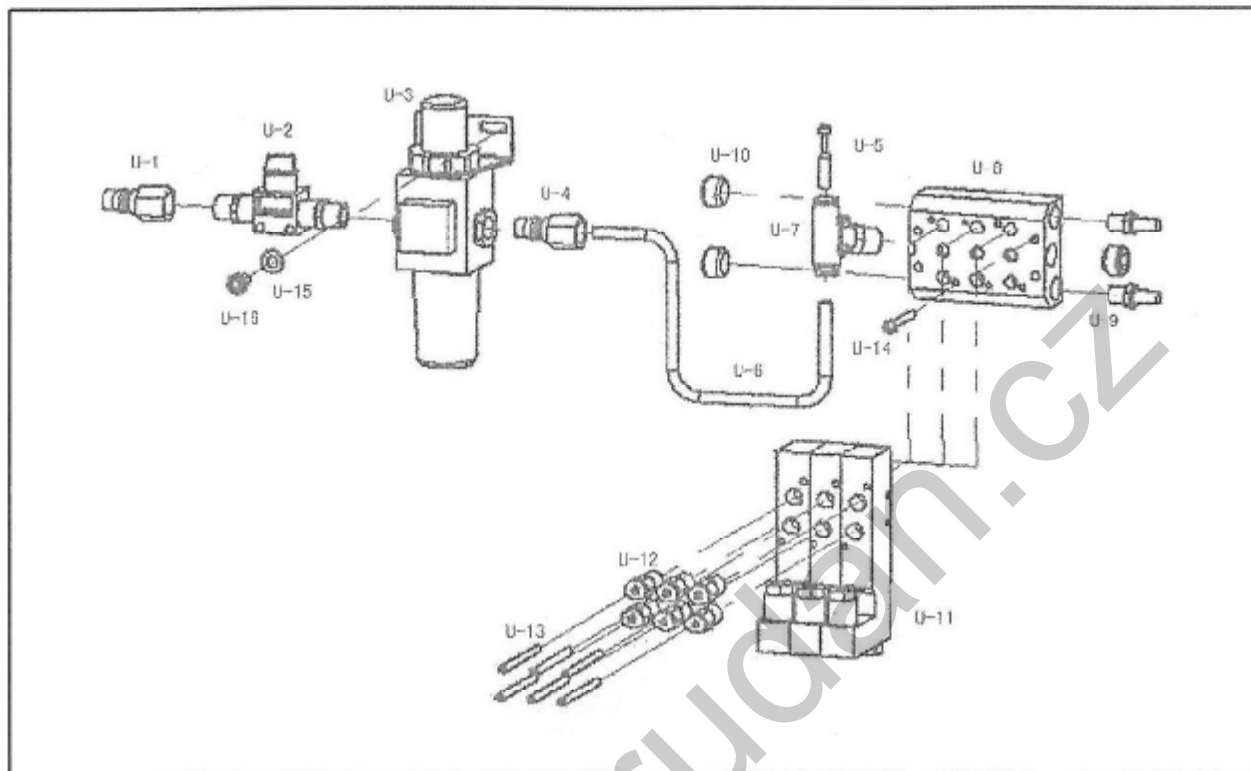


Ref.No	Parts No.	Name of parts	Popis	Qty	Note
R-10	R1001507	Master Switch	Vypínač 20A	1	
R-11	R1101507	Circuit breaker	Jistič D10	1	
R-12	R1201507	Terminal board (white)	Svorka (bílá)	2	
R-13	R1301507	Terminal board (blue)	Svorka (modrá)	2	
R-14	R1401507	Terminal board (yellow-green)	Svorka (žlutozelená)	4	
R-20-1	R2011507	Energy transducer	Transformátor	1	
R-20-2	R2021507	Board	Karta trafo	1	
R-20-3	R2031507	Switch-mode power supply 30V/8A	Spínaný zdroj 30V/8A	1	
R-30	R3001507	PC modul F	PC modul F	1	GPS/F
R-30-8	R3081507	PC modul G	PC modul G	1	GPS/G
R-32	R3201507	Power supply ATX	Zdroj ATX	1	
R-40	R4001507	Board A	Karta řízení A	1	GPS/F
R-41	R4101507	Board C	Karta převod C	1	GPS/F
R-42	R4201507	Board B	Karta řízení B	1	GPS/G
R-45	R4501507	Converter	Měnič TECO	1	

www.garudan.cz

# U Air control mechanism

## Pneumatika



Ref.No	Parts No.	Name of parts	Popis	Qty	Note
U-1	U0101507	Clutch	Nástrčná spojka	1	
U-2	U0201507	Finger Valve	Ruční ventil	1	
U-3	U0301507	Filter Regulator	Filtr s regulátorem tlaku	1	
U-4	U0401507	Clutch	Nástrčná spojka	1	
U-5	U0501507	Plug	Zátka	1	
U-6	U0601507	Hose 8mm	Hadice 8mm	0.3m	
U-7	U0701507	Clutch	Nástrčná spojka	1	
U-8	U0831507	Plate 3	Deska 3	1	standard
U-9	U0901507	Silencer	Tlumič hluku	2	
U-10	U1001507	Plug	Ucpávka	3	
U-11	U1101507	Magnetic Valve	Ventil elektromagnetický	3	standard
U-12	U1201507	Clutch	Nástrčná spojka	6	standard
U-13	U1301507	Hose 4mm	Hadice 4mm	10m	standard
U-14	U1401507	Screw	Vrut	2	
U-15	U1501507	Washer	Podložka	2	
U-16	U1601507	Screw	Šroub	2	

Ref.No	Parts No.	Name of parts	Popis	Qty	Note
P-1	P0101507	Driver	Šroubovák	1Set	
P-2	P0201507	Spaner	Klíč	1Set	
P-3	P0301507	L-Shape Wrench	Imbusový klíč	1Set	
P-4	P0401507	Oiler	Olejnička	1	
P-5	E2301507	Bobbin	Cívka	6	
P-6	C2701507	Needle (DP×17#18)	Jehly (135×17/110)	5	
P-7	J4501507	Moving Mes	Pohyblivý nůž	1	
P-8	J4301507	Fixed Mes	Pevný nůž	1	
P-9	P0901507	Manual & Parts Book	Návod & katalog náhradních dílů	1	
P-10	P1001507	Bottle Of Oil	Olej	1	
P-11	P1101507	Air gun	Pistol ofukovací	1	
P-12	P1201507	Hose	Hadice	1Set	
P-13	P1301507	Thread Stand Ass'y	Niřový stojánek	1Set	
P-27	P2701507	Safety Pate Ass'y	Chránič očí	1Set	
P-28	P2801507	Safety Pate	Plexi	1	
P-29	B3201507	Screw	Šroub	2	
P-30	J5601507	Washer	Podložka	2	
P-31	P3101507	Safety Plate Holder	Držák	1	
P-32	A4001507	Washer	Podložka	1	
P-33	P3301507	Safety Plate Spring	Pružina	1	
P-34	P3401507	Safety Plate Hinge Screw	Šroub	1	
P-35	H3201507	Nut	Matka	1	
P-36	J3401507	Nut	Matka	1	
P-37	P3701507	Safety Bracket	Držák	1	
P-38	P3801507	Safety Plate Spring Hook	Pružina	1	
P-39	B3201507	Screw	Šroub	2	
P-40	O0301507	Screw Nail	Šroub	2	